



**murdock**<sup>®</sup>  
SINCE 1853

# Become our Partner

Morris Group International brings together many family companies that have been producing solutions useful wherever quality and technology are important for over 170 years.

Topserw is the European sales center of MGI solutions, ensuring a quick and convenient delivery of goods straight from our warehouse in the center of Europe.

Now you can buy genuine MGI product directly in Europe. We offer a wide selection of water delivery and hydration stations, including indoor and outdoor drinking fountains, bottle fillers, water coolers and pet fountains.

We are dedicated to collaborating with local distributors to ensure that our customers receive the best service and access to top-quality products. Based on many years of cooperation, we have become a trusted partner of Morris Group International. Our commitment to excellence and customer satisfaction has solidified our reputation as a reliable and knowledgeable distributor in the industry. We look forward to continuing our successful partnership and contributing to the growth and satisfaction of our clients and partners.

## Certifications

Except for the American certificates (IAPMO tested to NSF/ANSI 61, Section 9, ANSI/ASHRAE 18, UL Listed (US and Canada), CE complaint for 220 V electrical, Lead-Free Federal Law 111-380, cUPC) the products have also the Polish Hygiene Certificate and the B mark for construction products. They are also electrically adapted to European standards 230 Volt/50 Hz.



## Find us:

- Poland
- Slovakia
- Czech Republic
- Turkey
- Romania
- Bulgaria
- France
- Greece
- Cyprus
- Germany
- Austria
- Switzerland
- Hungary
- Latvia and Estonia
- Lithuania
- Norway
- Ireland
- Georgia



**topserw.**  
POWERED BY MGI



**murdock**<sup>®</sup>  
SINCE 1853

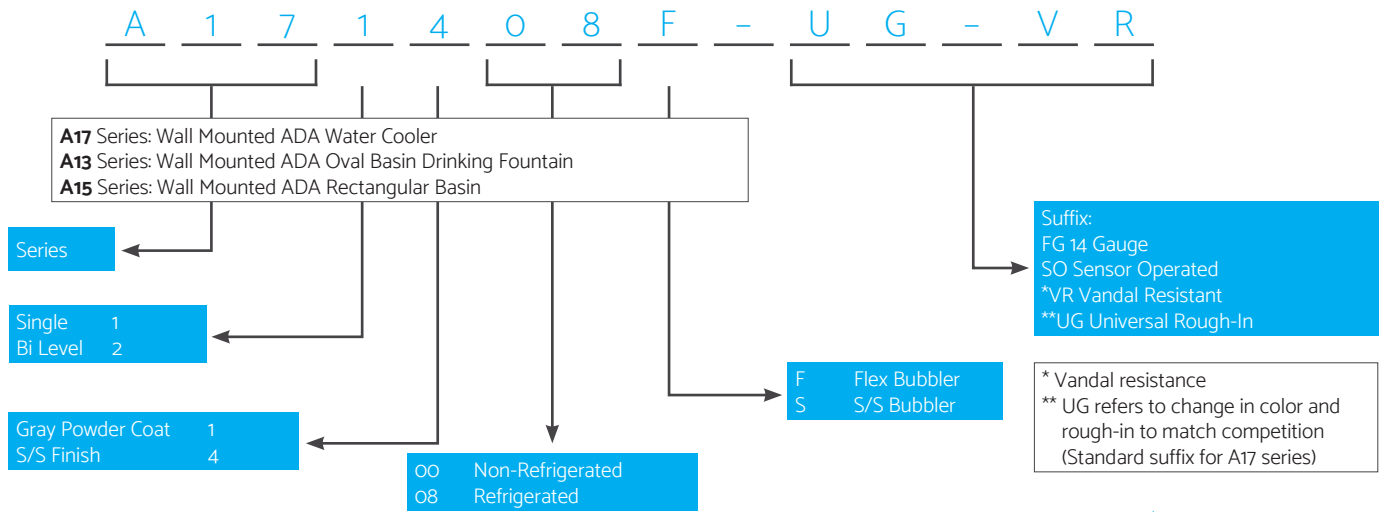
Find out more at



[www.topserw.com](http://www.topserw.com)

# Murdock Watercooler Model Number Breakdown

Learn what each digit in the model number matrix means for the most common Murdock watercooler model series.



## How to Read Option Symbols

- **UG** (Standard Option on ALL A17 Series units)
- **UBL** (Universal Bilevel, Standard Option on ALL A17 series bilevel)
- **VR** (Vandal resistance)
- **SO** (Sensor operated Bubblers)
- **BF12** ("H2O To Go" Bottle Filler, Sensor Operated)
- **BF11** ("H2O To Go" Bottle Filler, Pushbutton Operated)
- **BCD** (Bottle Counter Display for Bottle Filler)
- **WF1** (1500 Gallon Water Filter)
- **WF3** (3000 Gallon Water Filter)
- **SK** (ADA skirts... Check Spec Sheet)
- **BAT** (Battery Operated)
- **MO** (Manual Operated)



B Mark



Freeze Resistant



For Disabled People



Recyclable



Vandal Resistant



Touchless



Lead Free



Polish Hygiene Certificate



Conformity Mark

# Contents

Customize it	6
Schools, Sports Facilities, and Workplaces (Indoor)	9
Parks, Town Squares, Walkways, Cycle Paths (Outdoor)	19
Accessories	56
Professional service	65



# Customize It!

Choose housing color that perfectly matches your needs, and mark it with your logo, graphic or text!

We offer our customers the personalization services for the drinking fountains and bottle fillers. Choose your color and customize the drinking fountain or bottle filler to perfectly match your environment. With our custom colors and logos you can effectively create brand awareness, strengthen team spirit or simply make your environment look better!

- 💧 Add your company logo to improve your brand awareness
- 💧 Match colors of drinking fountains and bottle fillers with every environment
- 💧 We offer a range of services, from simple modifications to complex projects

Our portfolio includes powder coated units in colors selected by our customers – just choose your preferred color from the RAL palette. Additionally, at customer's request, we can also mark the drinking fountains and bottle fillers with logos and graphics – the signs can be made in various forms, such as permanent and durable stickers, engraved signs, laminated or engraved plates – all to fulfill your expectations.



# Customization and personalization options make our offer stand out!

Mark your drinking fountain or bottle filler with your chosen graphic, create with us your custom wall mounting plate for wall protection and improved look!

Create your own unique design with our help!

Would you like your selected equipment to look special? Would you like to place your logo, a town crest or a motto on your unit? Or perhaps a photo wallpaper would be an interesting addition, or a wall mounting plate with an eye-catching graphic, instructions for use, important information, etc.? No problem! We can offer a variety of custom products at customer's request.



Design your own unique photo wallpaper or the wall mounting/covering plate with us!



Place your graphic or logo on the bottle filler!



We offer various types of marking: stickers, plates, engraved graphic!



# Steps in the process of creating signage and customization of units

Create with us your own unique drinking fountain or bottle filler, tailored to your needs!

1



CHOOSE THE EQUIPMENT MODEL

2



CHOOSE THE UNIT COLOR FROM THE FULL RAL PALETTE

3

**DRINKING WATER**

CHOOSE YOUR SIGNAGE: ENGRAVING, STICKER, PLATE

4



SEND US THE REQUIRED MATERIALS: GRAPHICS, LOGOS, ETC.

5



APPROVE THE RECEIVED VISUALIZATION

6



WE CARRY OUT THE ORDER



# Schools, Sports Facilities, and Workplaces



# H<sub>2</sub>O to go!™





Indoor drinking fountains and bottle fillers are modern, safe and ecological units with wide variety of applications, such as: educational facilities, offices, factories, administration departments, medical centers, etc.

Made of highest quality materials they meet the hygienic requirements of PZH and NSF, and the wall mounted models also meet the requirements for barrier-free access for people with disabilities. In order to adapt them to the contemporary circumstances some models are equipped with motion detectors allowing touchless use. All this is to ensure the highest levels of hygiene and safety, as well as the greatest possible convenience in use.

A171



A171-BF12

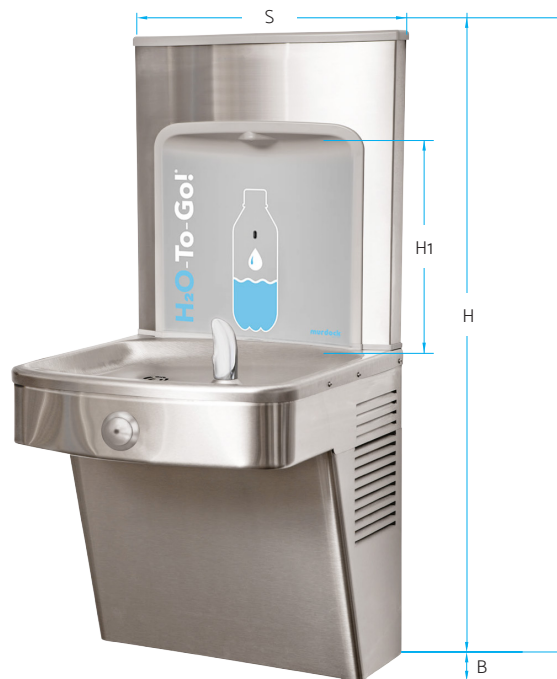


BF16



		Product code	Bottle filler	Drinking fountain	Sensor activation	Sensor power supply	Bottle counter	Water cooler
	A171	142.300.300	No	1	No	-	No	No
	A171.8	142.300.302	No	1	No	-	No	<b>Yes</b>
	A172	142.300.314	No	2	No	-	No	No
	A172.8	142.300.310	No	2	No	-	No	<b>Yes</b>
	A171-BF11	142.300.304	Yes	1	No	-	No	No
	A171-BF12	142.300.308	Yes	1	Yes	220V	No	No
	A171-BF12-BCD	142.300.303	Yes	1	Yes	220V	Yes	No
	A171.8-BF11	142.300.305	Yes	1	No	220V	No	<b>Yes</b>
	A171.8-BF12	142.300.309	Yes	1	Yes	220V	No	<b>Yes</b>
	A171.8-BF12-BCD	142.300.306	Yes	1	Yes	220V	Yes	<b>Yes</b>
	BF15	142.300.204	Yes	-	No	-	No	No
	BF16	142.300.201	Yes	-	Yes	220V	No	No
	BF16-BAT	142.300.206	Yes	-	Yes	6xAA	No	No
	BF16-BCD	142.300.203	Yes	-	Yes	220V	Yes	No
	BF158	142.300.211	Yes	-	No	220V	No	<b>Yes</b>
	BF168	142.300.209	Yes	-	Yes	220V	No	<b>Yes</b>
	BF168-BCD	142.300.210	Yes	-	Yes	220V	Yes	<b>Yes</b>
	A910	142.700.003	No	-	No	220V	No	<b>Yes</b>

Dimensions	Height [mm] (H)	Width [mm] (S)	Depth [mm] (B)	Bottle space height [mm] (H1)
A171	491	470	470	-
A171.8-VR	491	470	470	-
A172.8	630	943	470	-
A172	630	943	470	-
A171-BF11	901	470	470	486
A171-BF12-BCD	901	470	470	486
A171.8-BF11	901	470	470	486
A171.8-BF12-BCD	901	470	470	486
BF15	749	464	124	321
BF16	749	464	124	321
BF16-BCD	749	464	124	321
BF16-BAT	749	464	124	321
BF168	1343	603	206+276	321
BF168-BCD	1343	603	206+276	321



Technical data	A171 A171.8 A172.8	A171-BF11 A171-BF12-BCD	A171.8-BF11 A171.8-BF12-BCD	BF15/BF16 BF16-BCD/BF16-BAT BF168/BF168-BCD
Housing material	Stainless steel	Stainless steel / antimicrobial, impact resistant ABS	Stainless steel / antimicrobial, impact resistant ABS	Stainless steel / antimicrobial, impact resistant ABS
Bubbler material	Stainless steel	Stainless steel	Stainless steel	-
Bowl material	Stainless steel type 304	Stainless steel type 304	Stainless steel type 304	-
Pressure at bubbler	1,4 – 7,2 bar			
Standards	ANSI A117.1, Act 111-380 (on lead elimination), CHSC 116875 and NSF/ANSI 61, sec. 9			



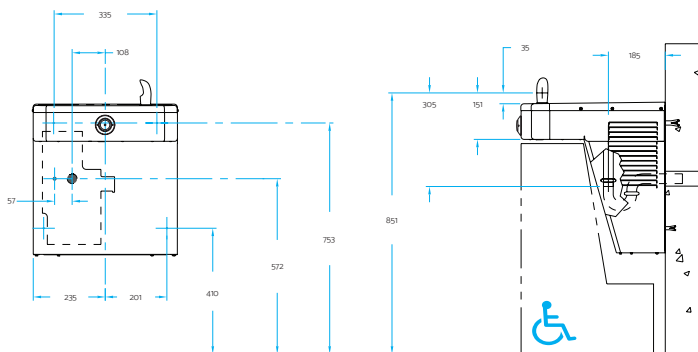
## MODEL A171/A171.8

Drinking fountain / water cooler version

Ideal for schools, customer service offices, hospitals and medical centers. Provides unlimited access to drinking water for all who need it.

- Allows drinking water without using a cup or bottle.
- Special design of the bowl and bubbler also allows convenient filling of bottles.
- Designed only for indoor applications.
- Activated by a self-closing activation button (a touchless, sensor activated version is also available).
- Equipped with a vandal-resistant, rugged bubbler.
- Meets requirements for barrier-free access for people with disabilities (ADA). Model A171.8 has built-in water cooler.

Thanks to the UG (Universal Grounding) option, the unit can be expanded with the BF11, BF12 or BF12-BCD Bottle Filler at any time.



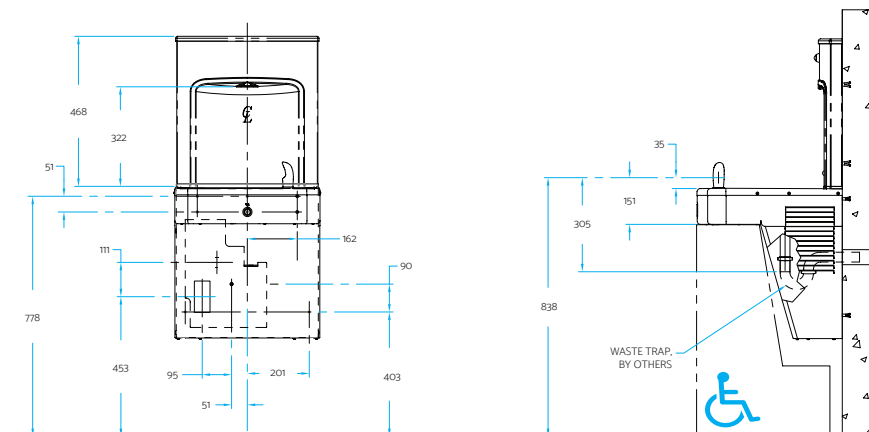


## MODEL A171-BF11/A171-BF12

Indoor drinking water station, button / sensor activated

This unit is ideal for administration offices, customer service offices, workplaces and schools. Provides access to drinking water to all who need it and allows filling of bottles, containers, carafes and jugs.

- The drinking fountain and the bottle filler are activated by separate self-closing buttons or by sensors, allowing touchless operation of the unit.
- Unit designed only for indoor applications.
- Meets requirements for barrier-free access for people with disabilities when installed at a specific height.
- Models with -BCD option are equipped with a bottle counter, displaying the number of saved 0.5 liter plastic bottles.



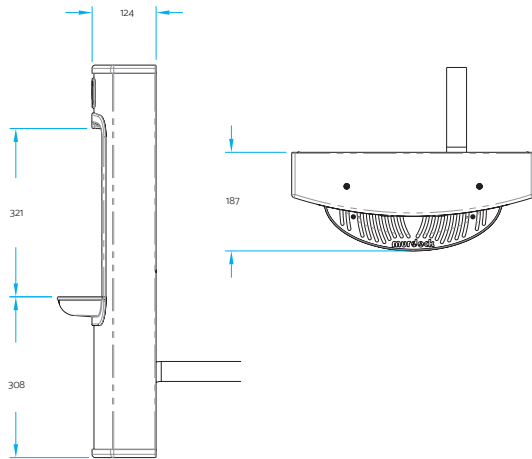
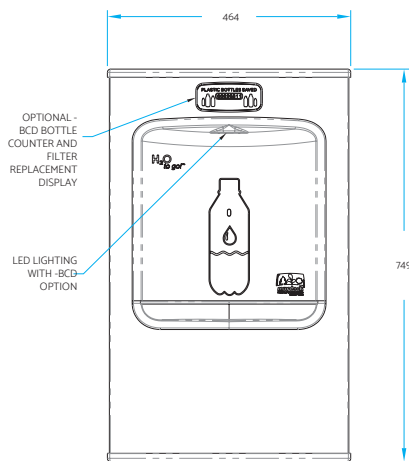


## MODEL BF15/BF16/BF16-BCD

Wall mounted bottle filler activated by button / activated by sensor with counter.

Provides convenient filling bottle, bottles and containers.  
The sensor activated version allows fully hygienic and touchless operation.

Models with -BCD option are equipped with a bottle counter, displaying the number of saved 0.5 liter plastic bottles. The small size of the unit and the highest quality of finish make this device attract attention, and perfectly blend into the various types of interior styles. An ideal solution for schools, workplaces, administration offices, shopping malls, museums, sports centers, etc.





## MODEL A151.8-VR-BF

Vandal-Resistant, Wall-Mounted, Square Drinking Fountain with Touchless Water Bottle Filling Station - In-Wall Refrigeration (8GPH), ADA, Stainless Steel

This durable, stainless steel, semi-recessed, rounded box water cooler includes a bottle filler and features a round vandal resistant push button with auto stop. The patented push button auto stop feature seamlessly incorporates the heavy-duty vandal resistant button for additional security while allowing easy access to the push button for routine maintenance.

- The stream height exiting the bubbler is easily adjusted right from the front of the button.
- All this simple, routine maintenance can be done without the time-consuming disassembly of the unit!
- Fixture meets ADA, ADA Standing Person, and ADA Child requirements when installed properly.



## MODEL A131-VR-BF

Vandal-Resistant, Wall-Mounted, Oval Drinking Fountain with Touchless Water Bottle Filling Station - Non-Refrigerated, ADA, Stainless Steel

A131-VR-BF Series includes an oval bowl drinking fountain mounted on panel with a recessed bottle filler. Fixture meets ADA, ADA Standing Person, and ADA Child requirements when mounted appropriately.

- Child or Adult ADA Compliant (When Properly Installed)
- 18 gage, 304 Stainless Steel Basin and Chrome Plated Brass Button
- Polished Stainless Steel, Vandal Resistant, Anti-Rotation Non-Squirt Bubbler
- 100-Mesh Inlet Strainer
- Mounting Frame (A0000000-MF13)
- Laminar Flow Water Supply (Bottle Filler)



# MODEL M-DFBF-LR

Heavy-Duty, Wall-Mounted, Ligature-Resistant, Touchless Drinking Fountain & Water Bottle Filling Station - Concealed Sensor, Non-Refrigerated, ADA, Stainless Steel

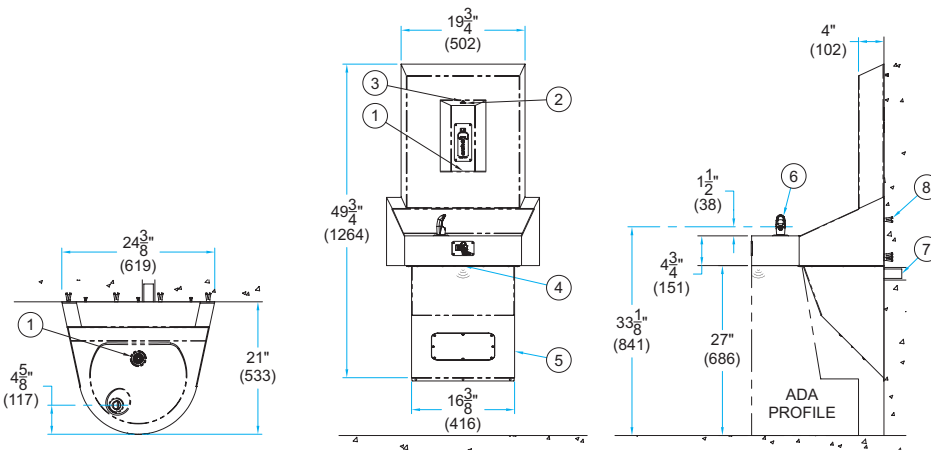
This unit provides a ligature-resistant design. The drinking fountain features tapered side splashes, a sloping backsplash top, conical bubbler, and grid strainer, all reducing the risk of the fixture being used as a ligature attachment point. The bottle filler also features a sloping top, also contributing to ligature resistance.



- The drinking fountain is activated by a 9-volt infrared sensor concealed beneath the basin skirt for wave-on and wave-off operation.
- Bubbler delivers 0.3 gallons (1.14 liter) per minute flow with a maximum run time of 10 seconds. Flexible or stainless steel drinking fountain bubblers are available.
- The fountain includes an integral D-shape basin with a grid strainer, waste piping, and P-trap waste fitting.
- Bottle Filler is provided with sensor-operated control with a 20-second maximum run time. Sensor solenoid valve assembly to include Battery Operation. An enclosure is provided to conceal the P-trap and solenoid valve assembly.
- The unit is child or adult ADA compliant - when properly installed



**Ideal for prisons, penitentiaries and psychiatric hospitals**



Technical data	A151.8-VR-BF	A131-VR-BF	M-DFBF-LR
Product code	142.400.222	142.700.006	142.300.414
Material	Stainless steel	Stainless steel	Stainless steel
Activation	Sensor/Push Button	Sensor/Push Button	Sensor
Refrigerator	Yes	No	No
ADA	Yes	Yes	Yes

# Parks, Town Squares, Walkways, Cycle Paths



# CLASSIC SERIES

---





The Classic series is based on the original design of the first Murdock drinking water fountain. These old style drinking fountains are made of heavy-duty iron and brass, and make a perfect addition to any environment, especially the historic style of old town main squares.

This series features a filigree shaped pedestal styled as a tulip flower, with a polished brass bowl and vandal-resistant bubbler. The units of this series ensure beauty, durability and reliability for many years.

- The drinking fountains are **equipped with polished cast brass bowls** and stainless steel bubblers.
- Activated using separate stainless steel buttons or foot pedal (model M-1776).
- Standard models are made in seasonal versions, not designed for freezing temperatures, and are finished with high-gloss black protective enamel.

- Rugged construction that includes cast iron pedestals with cast brass bowls ensures high durability and reliability of the devices.
- Serviceable parts are easily accessible.
- **Model M-1776 is the freeze-proof version** - includes a valve installed below the ground frost line which allows operation of the device at freezing temperatures.
- Models with side bowls meet the requirements for barrier-free use by people with disabilities.
- The fountain pedestal can be painted in various colors (upon customer request).

M-1776/M-C76C



M-C76A



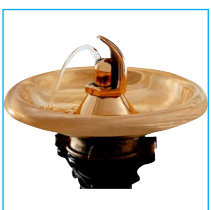
M-C76B



M-C76B-PF



		Product code	Material	No. of bowls	Pet fountain	Barrier-free	Activation	Freeze-resistant
	M-1776	142.500.600	Steel/brass	1	No	No	Foot pedal	Yes
	M-C76C	142.500.604	Steel/brass	1	Yes	No	Button	No
	M-C76A	142.500.601	Steel/brass	1	No	Yes	Button	No
	M-C76B	142.500.602	Steel/brass	2	No	Yes	Button	No
	M-C76B-PF	142.500.603	Steel/brass	2	Yes	Yes	Button	No



Polished brass bowls



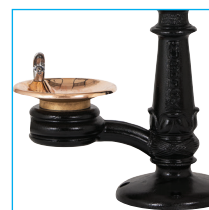
Activation pedal (model M-1776)



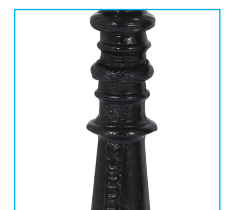
Freeze-resistant valve (M-1776)



Side bowl for barrier-free access



Optional addition – pet fountain



Pedestal made of cast iron

Dimensions	Height of pedestal with bubbler (mm) (H1)	Bubbler height (mm) (B)	Bowl diameter (mm) (S)	Height of side arm with bubbler (mm) (H2)	Height of side arm without bubbler (mm) (H3)	Width of device (mm) (S2)
M-1776	940	37	295	-	-	295
M-C76A	1041	37	295	895	-	295
M-C76B	1041	37	295	895	696	756
M-C76B-PF	1041	37	295	895	696	

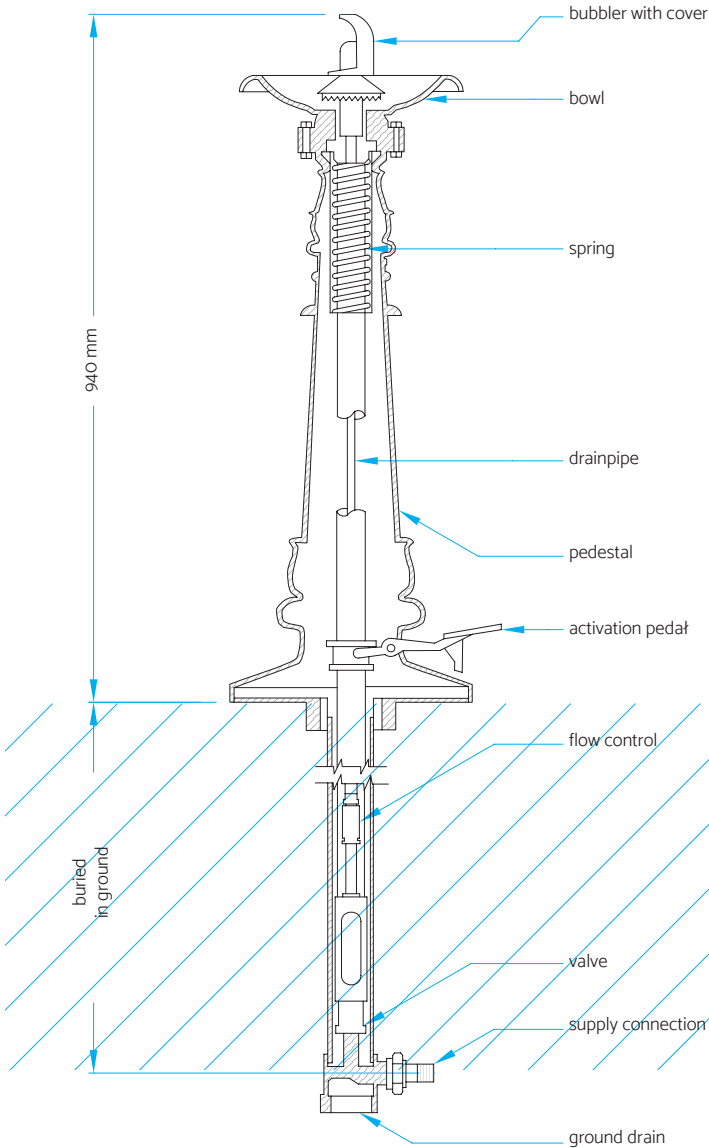


# MODEL M-C76C/M-1776

Old-style, pedestal drinking fountain with freeze resistant version



142.500.600



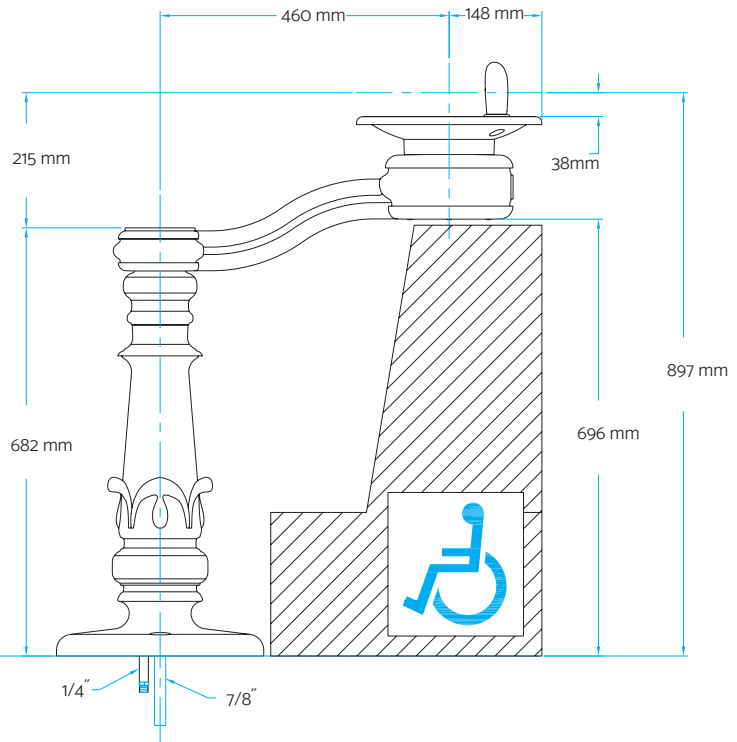


# MODEL M-C76A

Old-style, barrier-free pedestal drinking fountain



142.500.601



# MODEL M-C76B / M-C76B-PF

Old-style, barrier-free, bi-level pedestal drinking fountain / with pet fountain

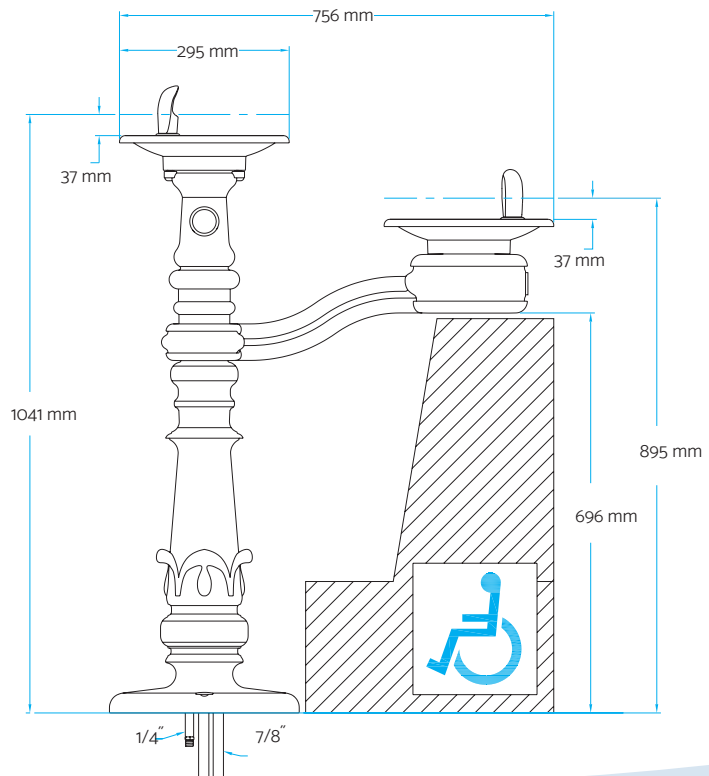


142.500.602



opcjonalny dodatek  
poidełka dla  
zwierząt - PF

142.500.603



# GR SERIES

---





Pedestal drinking fountains reflect the contemporary reality of our life - dynamic and active lifestyle with care for our health and ecology. These classical fountains ideally blend into the architecture of cities and communities.

Certain models also provide the comfort and **barrier-free access for people with disabilities and children - this is facilitated by the fountains** with side bowls mounted at specific heights. This series also has models with pet fountains which are a perfect addition to infrastructure of city parks, walkways and dog parks.

- **Resistant to weather conditions**
- Bowls made of 1.27 mm thick 304 stainless steel
- Durable 2.8 mm thick stainless steel pedestal with corrosion and scratch resistant finish
- Polished stainless steel bubbler protected against rotation, with smooth water stream at water pressures within range of 1.4 to 7.2 bar
- Water inlet protected by 0.15 mm mesh filter
- Activated by self-closing buttons requiring only less than 2 kg pressing force
- Stainless steel access doors with rugged, vandal resistant construction
- Satin finish (other colors available by individual order)

GRF



GRJ













GRM

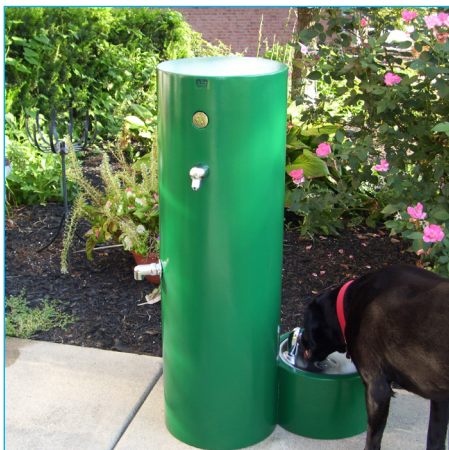


GRQ



		Product code	Material	No. of bowls	Pet fountain	Barrier-free	Freeze-resistant
	GRF	142.500.200	Steel	1	No	No	Optional
	GRF-PF	142.500.204	Steel	1	Yes	No	Optional
	GRJ	142.500.300	Steel	1	No	Yes	Optional
	GRJ-PF	142.500.304	Steel	1	Yes	Yes	Optional
	GRM	142.500.310	Steel	2	No	Yes	Optional
	GRM-PF	142.500.314	Steel	2	Yes	Yes	Optional
	GRT-PF-RFS	142.500.400	Steel	-	Yes	-	
	GRQ	142.500.320	Steel	3	No	Yes	Optional
	GRQ-PF	142.500.324	Steel	3	Yes	Yes	Optional
	GRC	142.500.100	Steel	1	No	Yes	Optional

Dimensions	Height of pedestal with bubbler (mm) (H1)	Bubbler height (mm) (B)	Bowl diameter (mm) (S)	Height of side arm with bubbler (mm) (H2)	Height of side arm without bubbler (mm) (H3)	Width of device (mm) (S2)	Pet fountain diameter (mm) (S3)
GRF-PF	1051	35	330	-	-	295	330
GRJ-PF	1041	35	330	895	-	295	330
GRM-PF	1041	35	330	895	696	756	330
GRQ-PF	1041	35	330	895	696	-	330





## MODEL GRF/GRF-PF

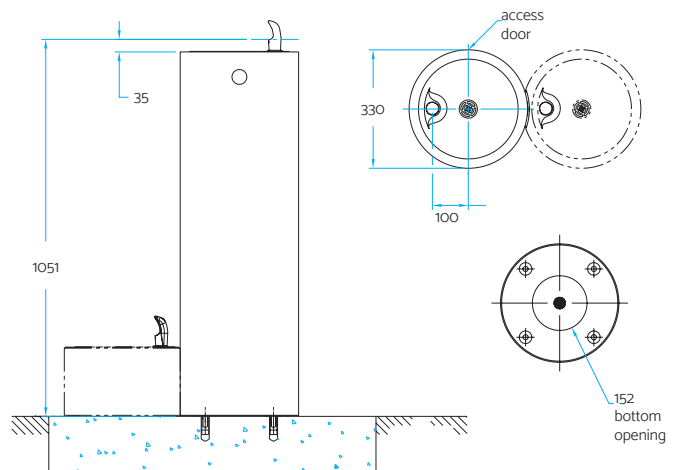
Pedestal drinking fountain / pedestal drinking fountain with pet fountain



142.500.204



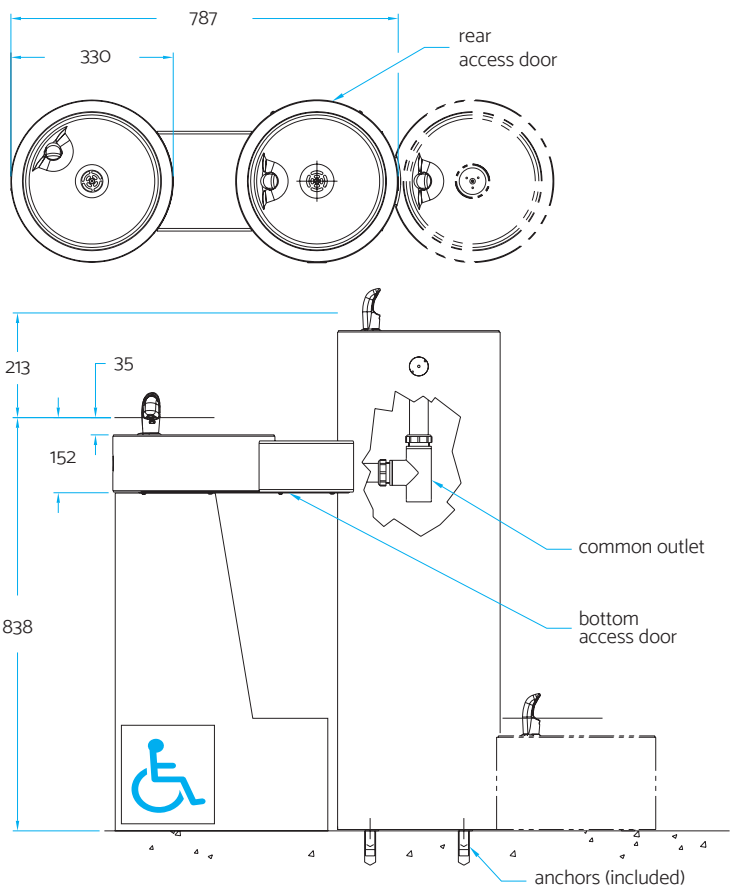
142.500.200





## MODEL GRM/GRM-PF

Barrier-free, bi-level, pedestal drinking fountain / version with pet fountain





## MODEL GRJ/GRJ-PF

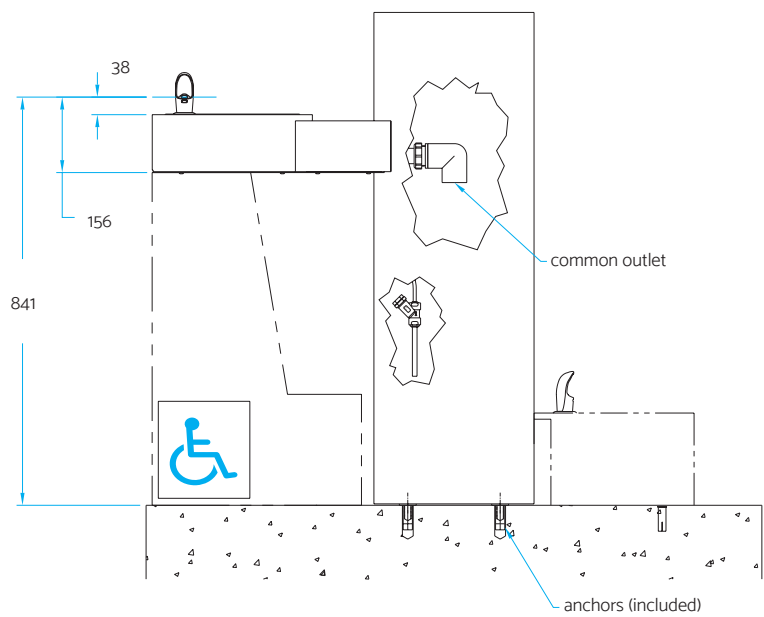
Barrier-free, bi-level, pedestal drinking fountain / version with pet fountain



142.500.300



142.500.304







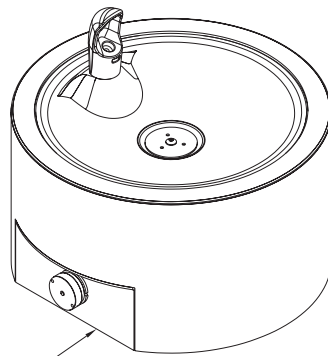
# MODEL GRT-PF-RFS

Pet fountain, for outdoor installations

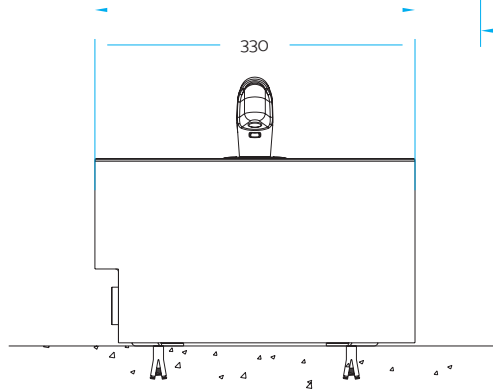
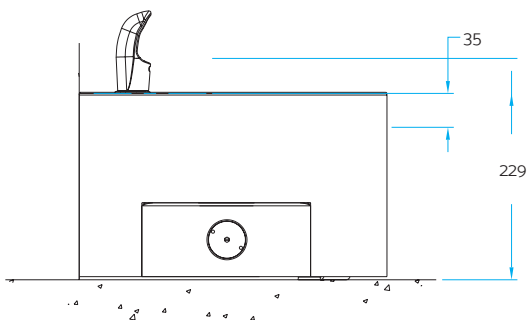
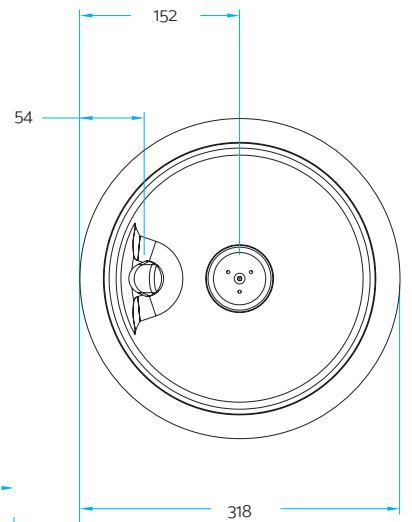
**Free-standing pet fountain available only at Murdock!**



142.500.400



shown with GRT-PF-RFS





## MODEL GRQ/GRQ-PF

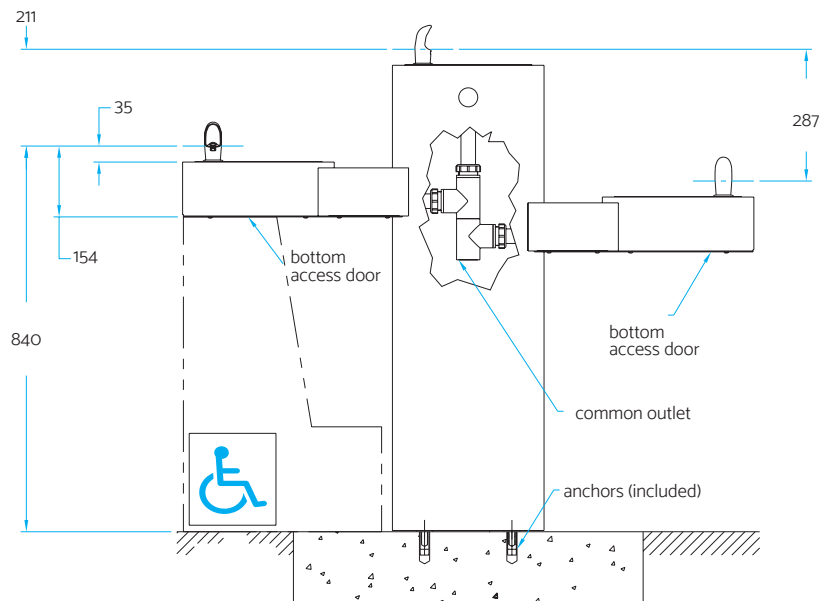
Barrier-free, bi-level, pedestal drinking fountain, with pet fountain



142.500.320



142.500.324





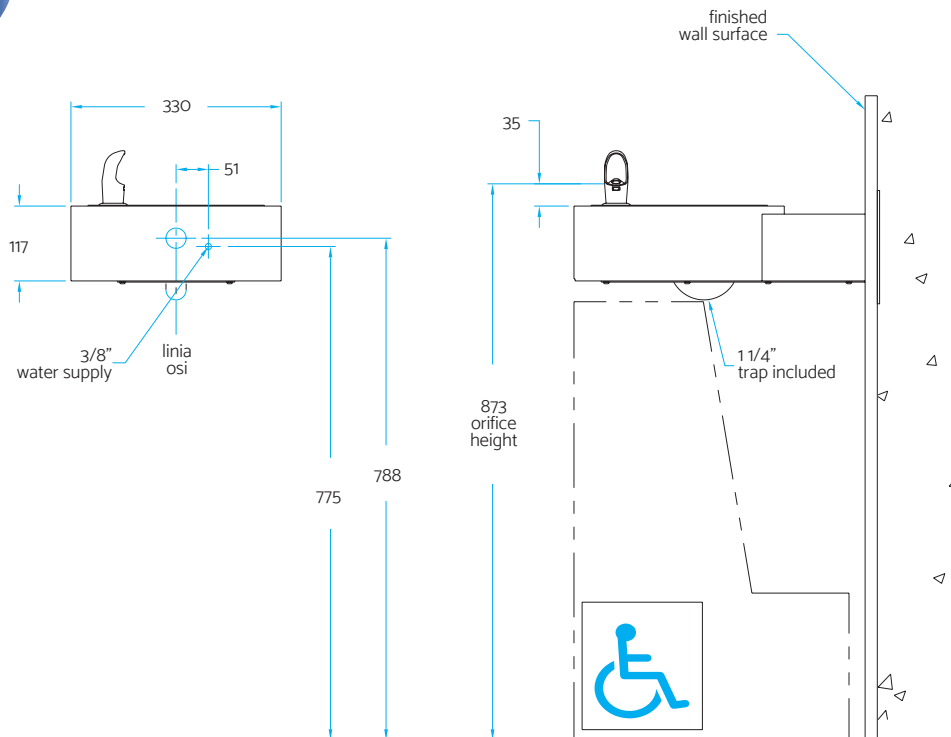
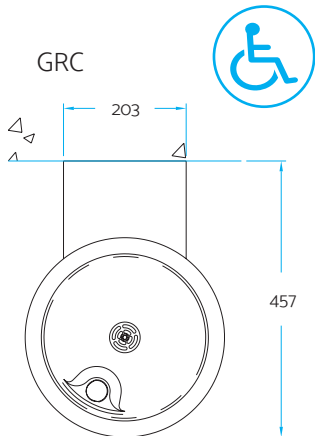
# MODEL GRC

Wall-mounted, barrier-free drinking fountain

Also available in a freeze-resistant version (FRA valve)



142.500.100



# GY SERIES

---













## This series provides convenient access to drinking water in public spaces, encouraging the use of re-usable water bottles to reduce waste caused by disposable bottles

Models in this series include free-standing bottle fillers, as well as units with built-in drinking fountains for direct drinking of water, and with pet fountains. They feature wide variety of available colors and finishes. All the GY series drinking water stations have hidden fixing points to ensure tidy look after installation.

- Barrier-free design, accessible for people on wheelchairs (except M-OBF models)
- Bottle fillers activated by push button or proximity sensor (powered by 6 AA batteries)
- Laminar bottle filler water stream
- Resistant to sunlight, heat, moisture and wear

- Bowls are made of 1.27 mm thick 304 stainless steel
- Construction made of durable 2.8 mm thick stainless steel with corrosion and scratch resistant finish
- Polished stainless steel bubblers protected against rotation, with smooth water stream
- Anti-microbial, lead-removing water filter (not available with FRU option)
- Water inlet protected by 0.15 mm mesh filter
- Stainless steel access doors with sturdy, vandal resistant construction
- Satin finish (other colors available by individual order)



		Product code	Material	No. of bowls	Pet fountain	Bottle filler	Barrier-free	Freeze-resistant
	GYM	142.400.119						
		142.400.108 (sensor activated bottle filler)	Steel	1	No	Yes	Yes	Optional
	GYM-PF	142.400.113						
		142.400.109 (sensor activated bottle filler)	Steel	1	Yes	Yes	Yes	Optional
	GYQ	142.400.210						
		142.400.211 (sensor activated bottle filler)	Steel	2	No	Yes	Yes	Optional
	GYQ-PF	142.400.209						
		142.400.212 (sensor activated bottle filler)	Steel	2	Yes	Yes	Yes	Optional
	M-OBF	142.200.200						
		142.200.100 (sensor activated bottle filler)	Steel	-	No	Yes	No	Optional
	M-OBF-PF	142.200.105						
		142.200.106 (sensor activated bottle filler)	Steel	-	Yes	Yes	No	Optional
	GYE14	142.400.214	Steel	1	No	Yes	Yes	Optional
	GYE24	142.500.928	Steel	2	No	Yes	Yes	Optional

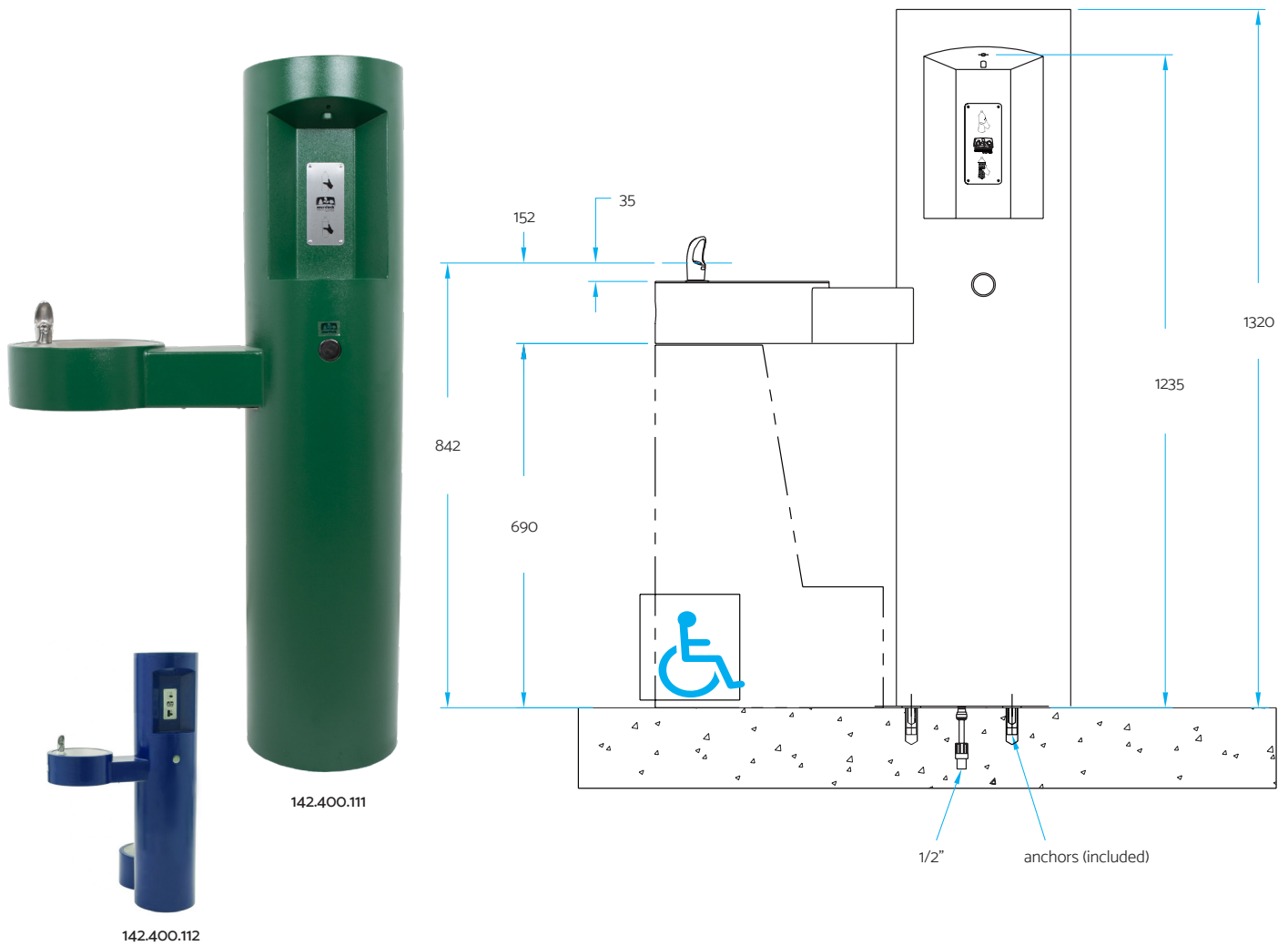
Dimensions	Pedestal height (mm) (H1)	Bubbler height (mm) (B)	Bowl diameter (mm) (S)	Height of side arm with bubbler (mm) (H2)	Height of side arm without bubbler (mm) (H3)	Width of device (mm) (S2)	Pet fountain diameter (mm) (S3)
GYM	1321	35	330	841	686	762	-
GYM-PF	1321	35	330	841	686	762	330
GYQ	1320	35	330	841	686	762	-
GYQ-PF	1320	35	330	841	686	762	330
M-OBF	1327	-	-	-	-	181	-
M-OBF-PF	1327	-	-	-	-	181	330
GYE14	-	35	330	-	-	595	-
GYE24	-	35	330	-	-	886	-





## MODEL GYM/GYM-PF

Drinking water station with side bowl / version with pet fountain

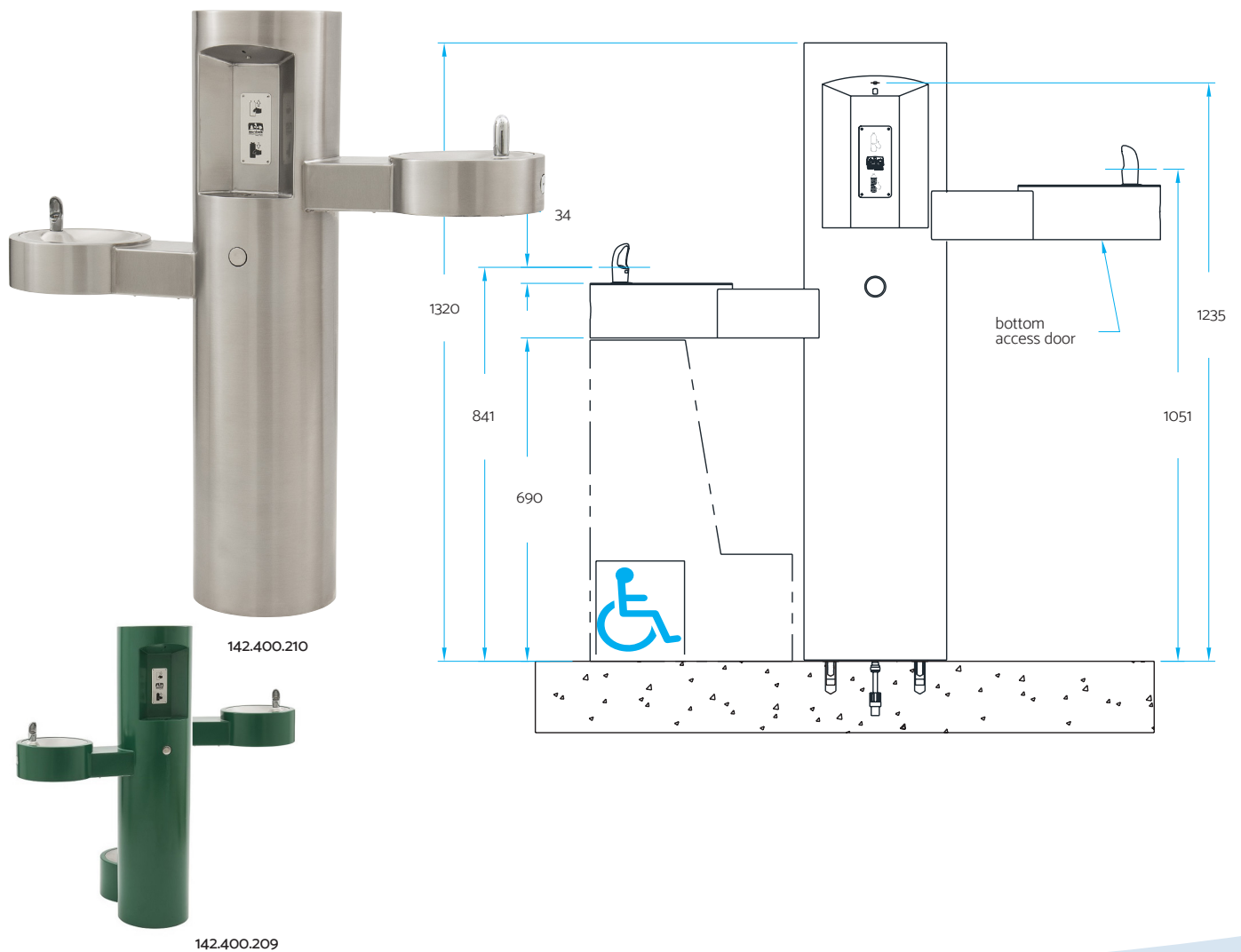






## MODEL GYQ/GYQ-PF

Drinking water station with two side bowls / version with pet fountain





## MODEL M-OBF/M-OBF-PF

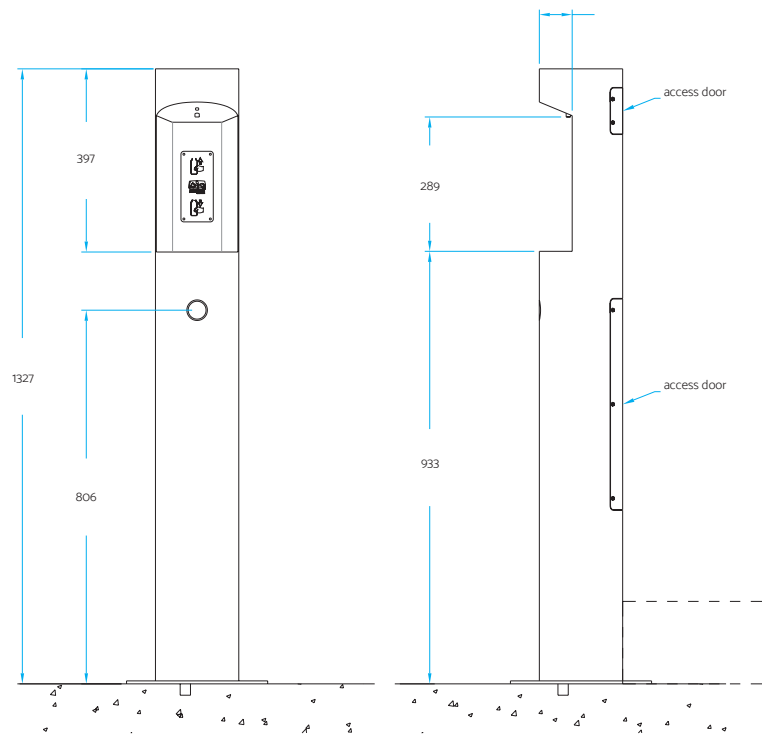
Drinking water station / version with pet fountain



142.200.200



142.200.105



# GW SERIES



# MODEL GWQ/GWQ-PF

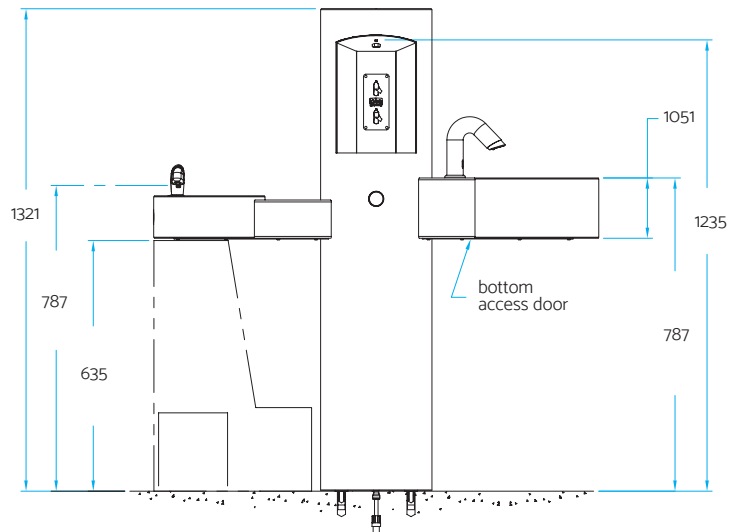
Drinking water station with hand washing basin Wash-N-Go!™ / with pet fountain

This modern solution delivers many functionalities in one device, which includes a drinking fountain for direct consumption of water, bottle filler, pet fountain (version -PF), as well as a touchless activated hand washing basin.

The bottle filler can be activated by a sensor or a pushbutton. The hand washing station is equipped with a round bowl and a stainless steel J-shaped faucet providing laminar water stream.

- Side bowl of the fountain meets requirements for access for people with disabilities
- Stainless steel J-shaped faucet minimizes possible points of touch during use

- Laminar flow reduces splash and minimizes spreading of microbes
- Fully vandal-resistant device
- Equipped with large access door to facilitate maintenance
- Different color options available
- Also available in version with pet fountain (-PF)



Technical data	GWQ	GWQ-PF
Product code	142.500.920	142.500.924
No. of bowls	1	1
Bottle filler	Yes	Yes
Pet fountain	No	Yes
Hand washing basin	Yes	Yes
Pedestal material	Stainless steel	
Bowl material	stainless steel type 304, 127 mm thick	
Bubbler material	Polished stainless steel	
Pressure at bubbler	1,4 do 7,2 bar	
Standards	NSF/ANSI 61, CHSC 116875	
Freeze-resistant	No	
Barrier-free	Yes	

# MODEL GWJ

Wash-N-Go!® Free Standing Outdoor Sink Station

The GWJ84 Series outdoor sink station features high-quality, all-stainless steel construction with a barrier-free, ADA-compliant arm. The deep, round bowl provides ample room for hand washing, and the sensor-activated faucet minimizes touchpoints and helps limit the spread of germs.

This free standing sink comes in satin finish stainless steel, but can be painted on selected color on request. A soap dispenser is optionally available.

- The unit has type 304 16-gauge stainless steel bowl on a 12-gauge stainless steel pedestal and arm
- It contains stainless steel touchless faucet
- Multi-stream laminar flow ensures reducing splashing
- Access door provide easy maintenance and access to inner installation
- Unit is Vandal-resistant, ADA-compliant
- Patent pending



Technical data	GWJ	GWJ-PF
Product code	142.500.910	142.500.914
No. of bowls	1	1
Bottle filler	Yes	Yes
Pet fountain	No	Yes
Hand washing basin	Yes	Yes
Pedestal material	Stainless steel	
Bowl material	stainless steel type 304, 1.27 mm thick	
Bubbler material	Polished stainless steel	
Pressure at bubbler	1,4 do 7,2 bar	
Standards	NSF/ANSI 61, CHSC 116875	
Freeze-resistant	No	
Barrier-free	Yes	

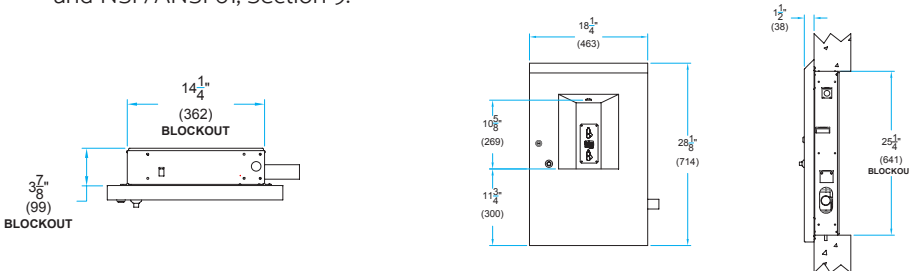


## MODEL BF3/BF4

Semi-Recessed, Push Button (BF3) or Sensor Operated (BF4) Water Bottle Filling Station - Non Refrigerated, Stainless Steel

Both models can be mounted in a 4" (102 mm) or larger wall space for simple installation virtually anywhere. Housing has a slim and trim look that blends into your environment.

- Unit also has a strong, ligature resistant, and vandal-resistant design for years of trouble-free service.
- When installed properly, the bottle filler complies with ADA forward and side reach requirements.
- Bottle filler is fabricated of type 304 stainless steel polished to a satin finish.
- Unit is certified to ANSI A117.1, Public Law 111-380 (NO-LEAD), CHSC 116875 and NSF/ANSI 61, Section 9.



Technical data	BF3	BF4
Product code	142.100.100	142.700.328
Housing material	Stainless steel	Stainless steel
Activation	Push Button	Sensor
Refrigerator	No	No
ADA	Yes	Yes

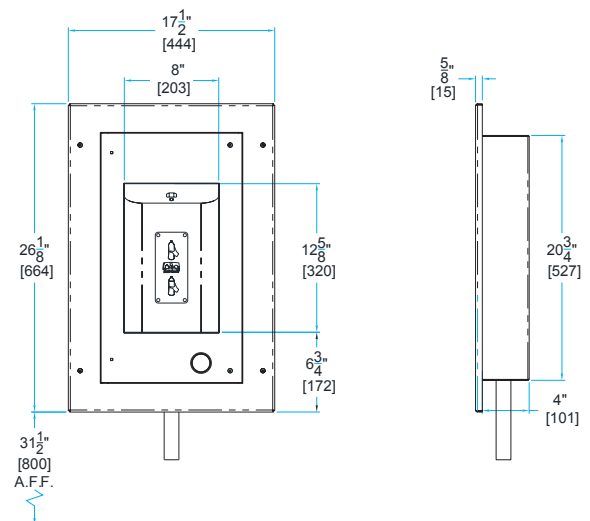
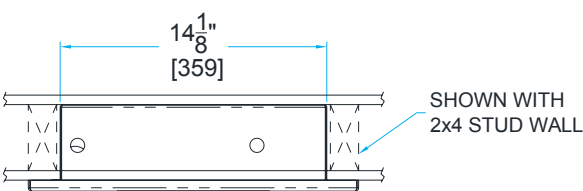


## MODEL M-OBR

### Recessed Outdoor Bottle Filler

This durable, stainless steel, recessed outdoor water bottle has a slim and trim look that blends into your environment. Unit also has a strong vandal-resistant design for years of trouble-free service.

- When installed properly, the bottle filler complies with ADA forward and side reach requirements.
- Bottle filler is fabricated of type 304 stainless steel polished to a satin finish.
- Bottle filler shall be activated by a 9 volt sensor or a pushbutton as standard. When installed properly, the bottle filler complies with ADA forward and side reach requirements. In standard in stainless steel finish. Custom colors and design can be accommodated.



Technical data	M-OBR4
Product code	142.200.300
Housing material	Stainless steel
Activation	Sensor, Push Button
Freeze-Resistance	Available Option
ADA	Yes

# CONCRETE DRINKING FOUNTAINS







The concrete drinking fountains are a perfect addition to public and private areas, for outdoor installation. The reinforced vibro concrete construction is resistant to corrosion, and the available colors make it ideally blend into various types of environments.

Drinking fountains made of concrete are widely accepted solutions thanks to the easy and intuitive use, and the fact that the materials used make it very easy to maintain. They make an attractive and natural addition to every environment. Ideal for installation along walkways, cycling paths, in parks, town squares, etc.

- Resistant to sunlight, heat, moisture and wear
- Bowls are made of 1.27 mm thick 304 stainless steel
- Reinforced concrete with aggregate surface finish (available colors: beige, terracotta, grey)
- Polished stainless steel bubblers protected against rotation, with smooth water stream
- Water inlet protected by 0.15 mm mesh filter

**DF-38**



**DFBF-36**

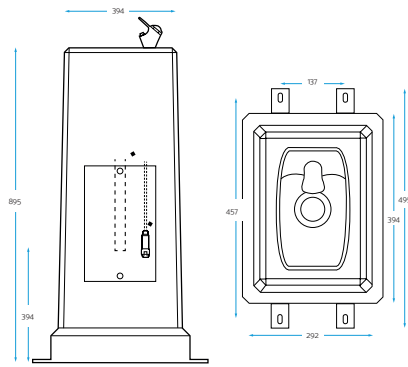


**DF-DUAL**

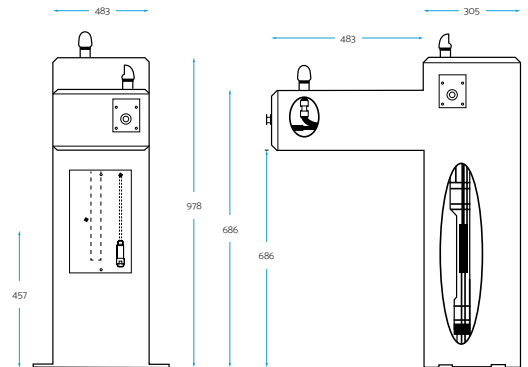


		Product code	Material	No. of bowls	Pet fountain	Barrier-free	Freeze-resistant	Maintenance water tap
	GUT-PF-RFS	142.500.410 BEIGE	Concrete	-	Yes	-	Optional	
		142.500.411 GREY						
	DF-38	154.552.103 TERRACOTTA	Concrete	1	Yes	No	Optional	Optional
		154.552.114 GREY						
	DFBF-36	154.552.100 TERRACOTTA	Concrete	1	No	Yes	Optional	Optional
		154.552.113 GREY						
	DFBF36-PF	154.552.110 TERRACOTTA	Concrete	1	Yes	Yes	Optional	Optional
		154.552.115 GREY						
	DF-DUAL	154.552.106 TERRACOTTA	Concrete	2	No	Yes	Optional	Optional
		154.552.116 GREY						
	DF-DUAL-PF	154.552.111 TERRACOTTA	Concrete	2	Yes	Yes	Optional	Optional
		154.552.117 GREY						
	DFWM-12	154.552.104 TERRACOTTA	Concrete	1	No	Yes	Optional	
		154.552.118 GREY						

Dimensions	Height of fountain with bubbler (mm) (H1)	Bubbler height (mm) (B)	Bowl diameter (mm) (S)	Height of side arm with bubbler (mm) (H2)
GUT-PF-RFS	229	35	330	330
DF-38	895	35	457	-
DFBF-36	876	35	752	-
DFBF-36-PF	876	35	1185	433
DF-DUAL	978	35	788	-
DF-DUAL-PF	978	35	1411	433
DFWM-12	216	35	387	-



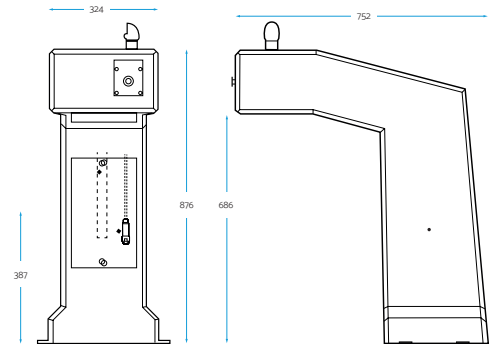
Nameplate dimensions:  
330x197 mm



Nameplate dimensions:  
330x197 mm



**\*Each device has the option of connecting a tap to the technical water supply.**



Nameplate dimensions:  
330x197 mm



\* Not applicable for DFWM-12 and GUT-PF-RFS



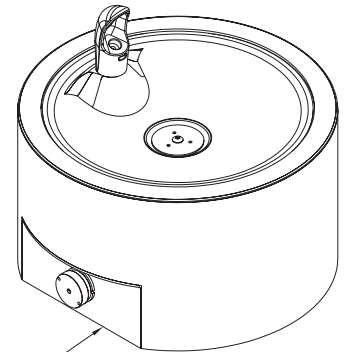
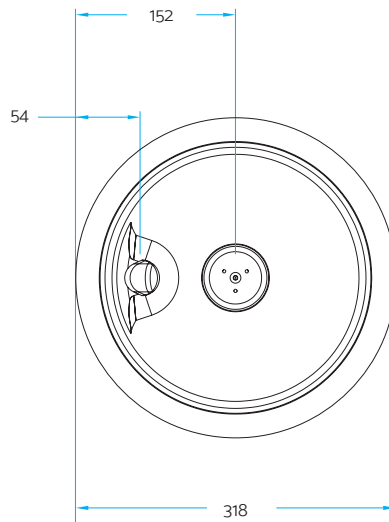
## MODEL GUT-PF-RFS

Pet fountain, for outdoor installations

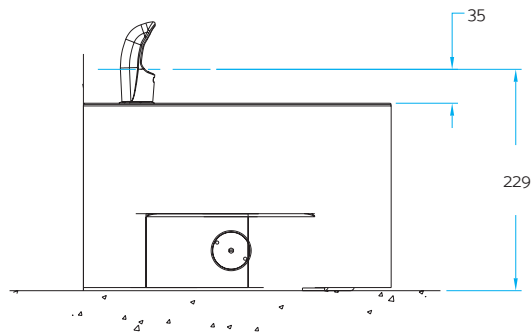
Free-standing pet fountain available only at Murdock!



142.500.410



shown with GRT-PF-RFS



142.500.502

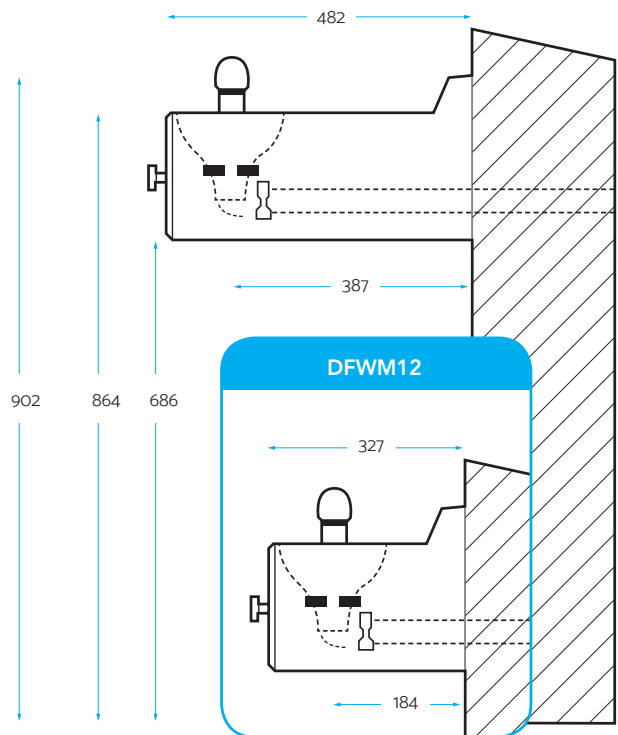
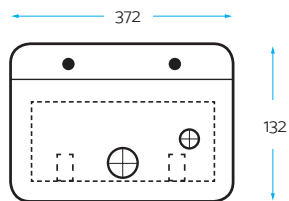


## MODEL DFWM-12/DFWM-19

Wall mounted, barrier-free drinking fountain



154.552.104



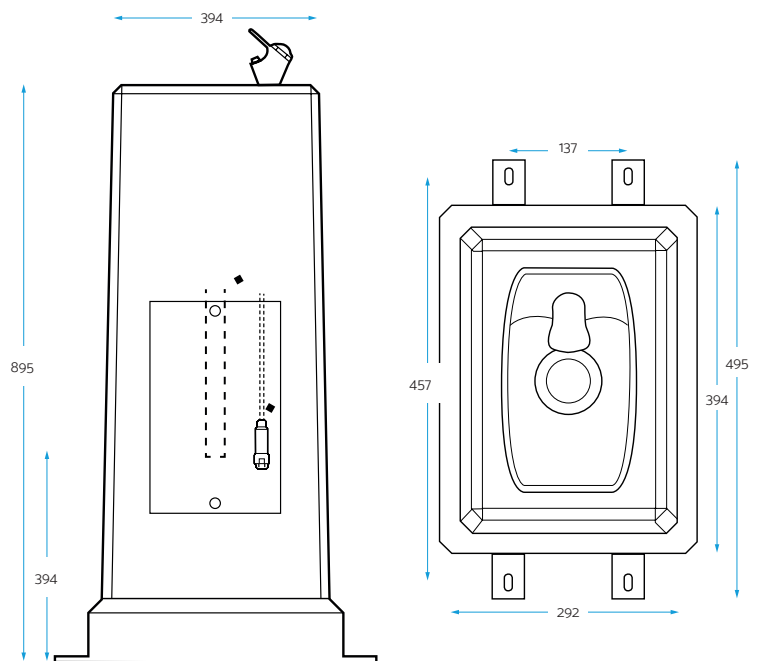


## MODEL DF-38

Vibro concrete, pedestal drinking fountain



154.552.103



Nameplate dimensions:  
330x197 mm

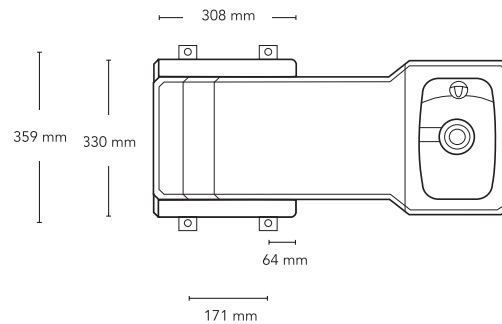
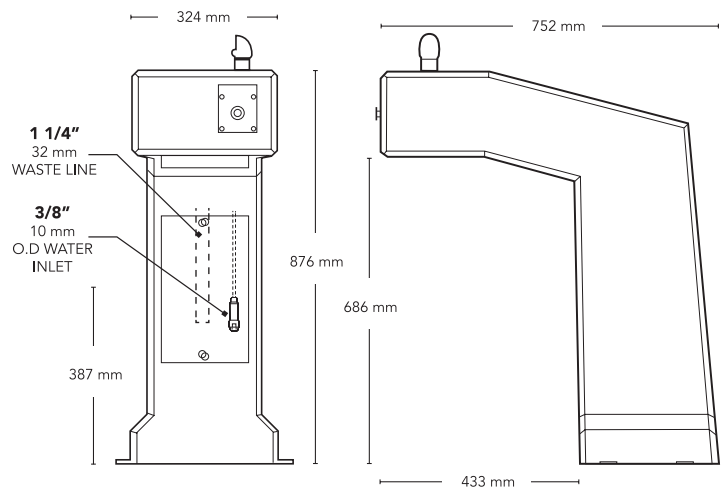


## MODEL DFBF-36

Vibro concrete drinking fountain in barrier-free design with bowl accessible for people with disabilities



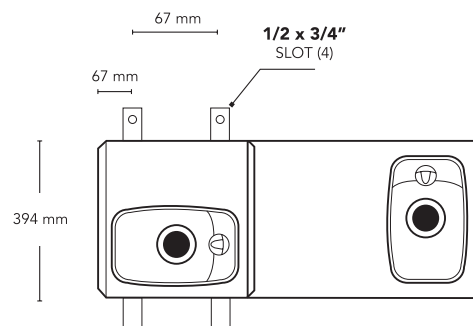
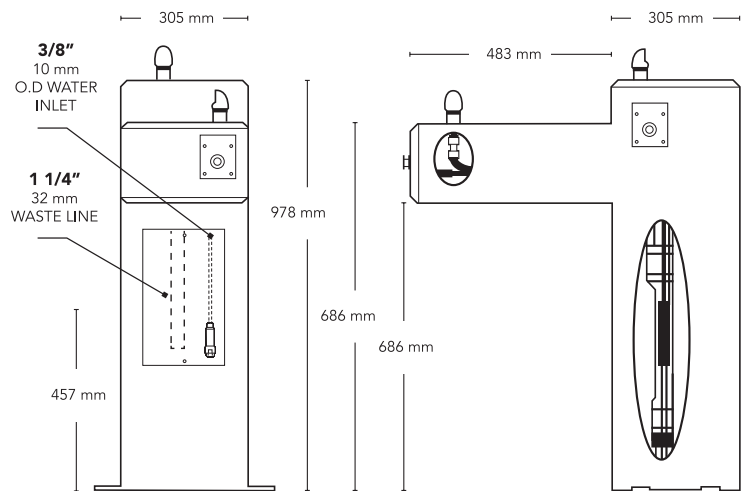
154.552.100





## MODEL DF-DUAL

Vibro concrete, dual-bowl, barrier-free drinking fountain accessible for people with disabilities



154.552.106



# Accessories and Spare Parts





## WOOD STAND FOR BOTTLE FILLER BF3/BF4 /M-OBR

Wood stand, made of spruce.

- Board thickness 26 mm.
- Overall height of the structure 180 cm, width with canopy 95 cm, thickness 20 cm.
- Activating button height 103 cm.
- The entire construction is set on 90x90 mm poles, placed on 100 cm long steel mounting anchors, channel 100x50x3 mm, powder-coated.
- The whole construction is topped with a 20 cm wide double-sided gabled roof.
- The frame is double-painted with V33 wood preservative in light oak and Syntilor grey.
- Annual impregnation recommended.



Model	Product code	Description
BF3	142.100.100	BF3 Semi-Recessed, Push Button Water Bottle Filling Station - Non-Refrigerated, ADA, Stainless Steel
BF4-IPL	142.700.328	BF4 Semi-Recessed, Touchless Water Bottle Filling Station - Non-Refrigerated, ADA, Stainless Steel
Wood stand BF3/BF4	196.000.061	Wood stand for Bottle Filler BF3/BF4
M-OBR	142.200.300	Recessed Outdoor Bottle Filler, Sensor and Pushbutton Pperated with Satin Finish

# Hygienic Drinking Fountain Flushing System

## HFS

Product code:  
**196.960.370**

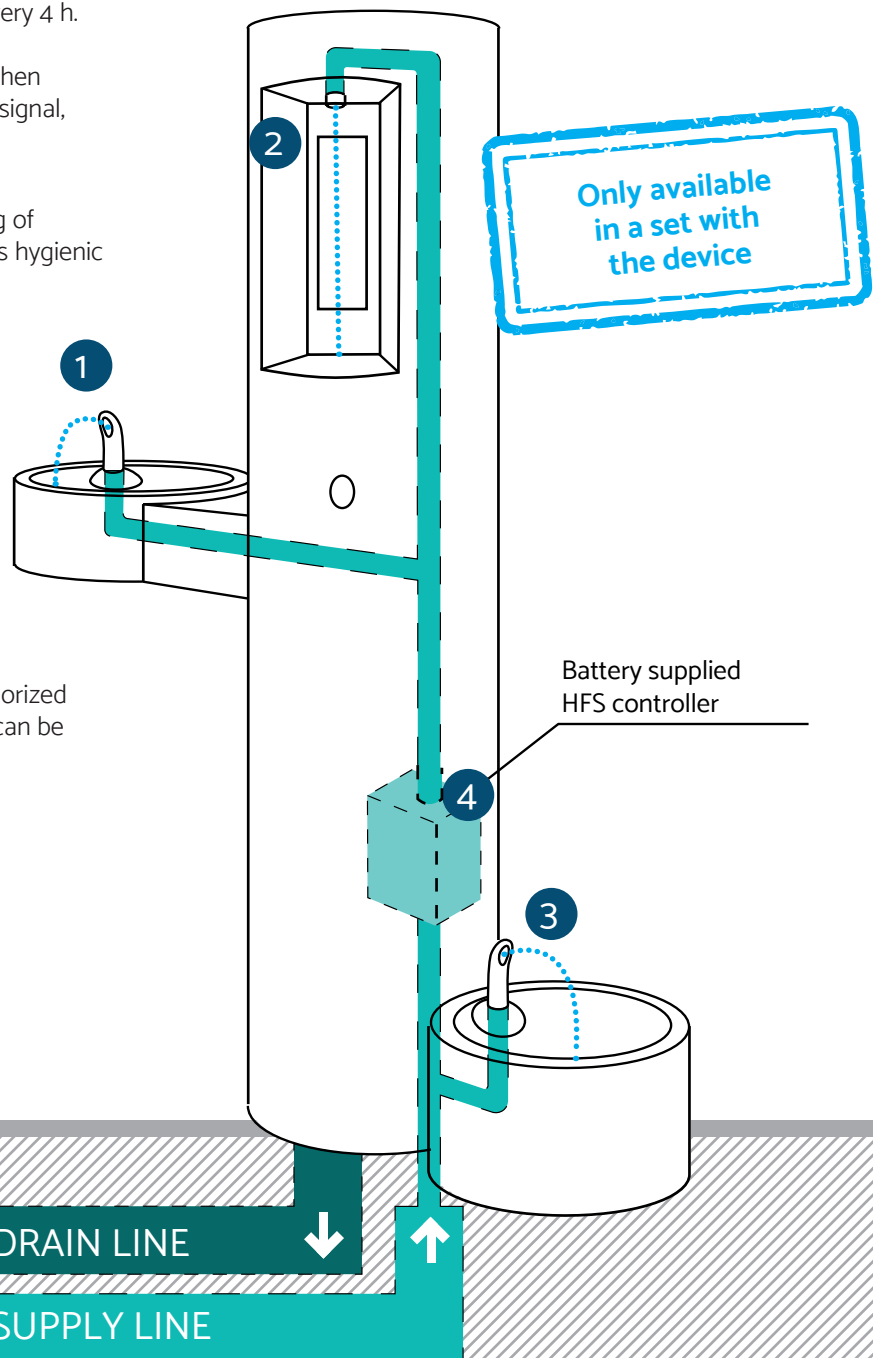


The HFS system allows to discharge water through any number of faucets in a cycle max. 6 times a day.

Water discharge duration is from 20 s (ca. 0.5 L of water) to 40 s (ca. 1.1 L of water). Number of cycles per day: 6 cycles every 4 h.

The battery power supply lasts for approx. 9 months. When the batteries are discharged, the system gives a sound signal, informing of a necessity to replace the batteries.

- Cyclical water discharge with simultaneous flushing of faucets of the drinking fountain/bottle filler ensures hygienic use of the device.
- Prevents stagnation of water in the system.
- Allows maintaining proper temperature of water flowing from the device.
- The system has battery power supply - does not need connection to power grid.
- The 9V power supply guarantees safe use without any risk of electric shock.
- The system can be used in every model of the drinking fountains or bottle fillers from our offer.
- Installation of the system is carried out by the authorized technicians of T.team but its further maintenance can be performed by the user.

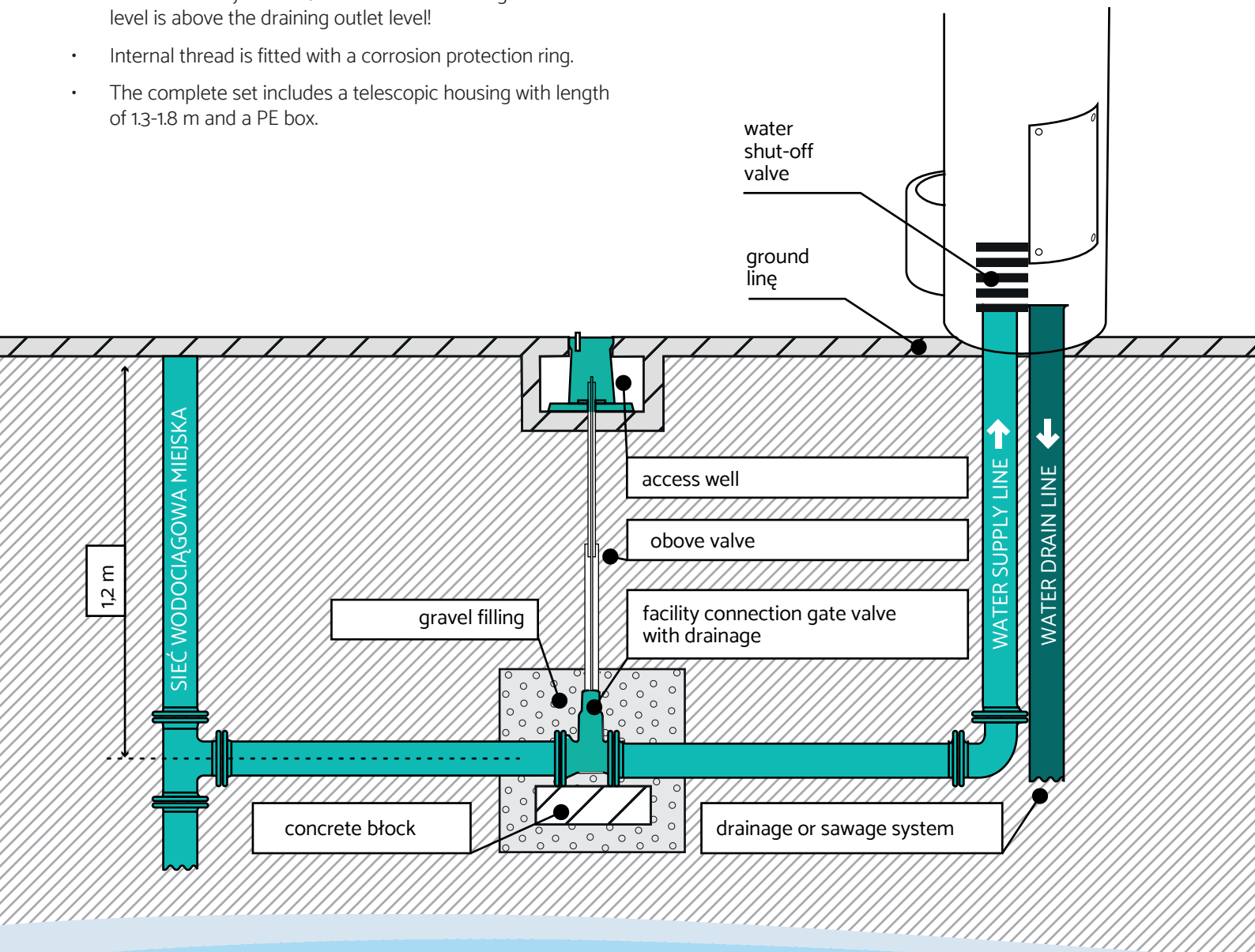


# Draining valve 3/4" made of ductile cast iron + housing + box; a complete set

Product code:

**196.960.364**

- Draining valve designed for connections of seasonally used drinking fountains.
- Allows efficient removal of water from installation and to protect it in winter season.
- When installing the system in the ground it must be ensured to allow free discharge of water from the water line (e.g. drainage).
- Sealing system: when the valve is fully or partially open, the draining line is closed; in a fully closed condition the valve is automatically drained; not to be used when ground water level is above the draining outlet level!
- Internal thread is fitted with a corrosion protection ring.
- The complete set includes a telescopic housing with length of 1.3-1.8 m and a PE box.



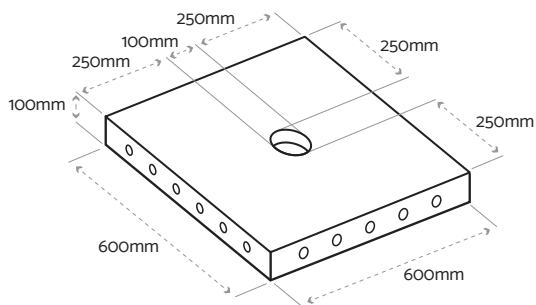
# Reinforced concrete foundation slab

- Allows quick and easy installation of drinking water fountains.
- Significantly reduces the fountain installation cost.
- Ensures correct installation, stability of structure, and safety of operation.
- Made of C35/45 concrete, surface vibrated, with rough surface finish.
- Contains bottom reinforcement providing structural strength, made of 150\*150 mm steel mesh, with rebar diameter of 6 mm.
- The slab contains a 100 mm diameter hole for connection of installations (supply/drainage).

Product code:

**196.960.365**

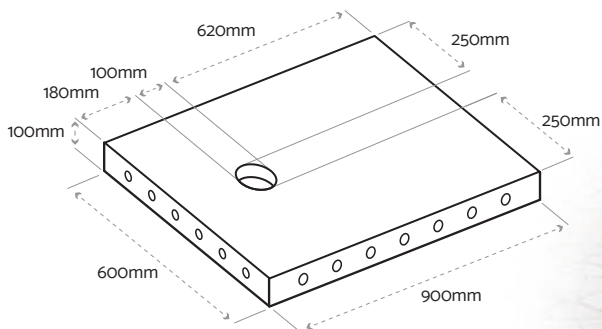
for drinking fountains  
without pet bowl,  
600 x 600 x 100 mm  
weight 130 kg



Product code:

**196.960.366**

for drinking fountains  
with pet bowl  
900 x 600 x 100 mm  
weight 190 kg





**PURITY C1000AC filter**

Ensures elimination of turbidity, improves taste and smell of water.



**Universal head 0% PURITY C**

Allows quick and easy installation of the BRITA filter.



**AP2-C405GS filter set + VB2 head**

Effectively purifies water from impurities.



**Antimicrobial UV lamp on inlet**

Neutralizes bacteria that may be contained in water. Mounted before the water inlet to the device.

Product code

196.101.824

196.101.825

196.102.111

144.900.101



**UV lamp bulb**

Replacement bulb for the antibacterial UV lamp.



**Disposable cup dispenser**

Allows easy dosing of plastic or paper cups.



**Stainless Steel Cup Dispenser**

It prevents water stagnation in the device.



**Hygienic Flushing System**

It prevents water stagnation in the device.

Product code

144.900.076

196.100.822

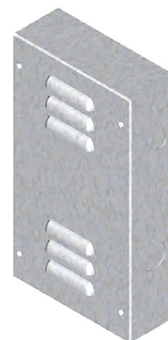
144.900.110

196.960.370



**HFS Plastic Box**

Replaceable housing in case of damage to the previous one.



**Freeze-Resistant Valve, Wall Mounted, FRA**

This provides for an above-ground, freeze-resistant valve to be installed typically with a wall fixture. This valve is designed for a single unit - whether it be a drinking fountain or bottle filler.



**Freeze-resistant valve - FRU**

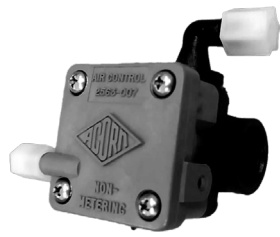
Allows the use of drinking fountains also in winter without need to shut them off.

Product code

196.960.458

142.700.145

142.700.127



**AIR-TROL Valve**

Perfect for use in applications which require intrinsic safety, pneumatic sequencing, and precise pressure relief.

**Solenoid/Valve Mounting Assy, BF11/12**

To regulate the movement of water and eradicate the need for an engineer to manually control the valve, saving time and money.

**Bubbler**

Ensures laminar water flow. Made of stainless steel.

**Repair kit**

Necessary in case of damage or failure of the activation button.

Product code

142.700.301

142.700.299

142.700.118

142.700.238



**Activation button for outdoor fountains**

Replacement kit used in case of damage of the activation button.

**Universal wrench for H2O to go! series**

Special wrench for adjustment of water pressure and manipulation with the activation button in the H2O to go! devices.

**Neoperl Nozzle Key**

For the quick and easy installation and removal of faucet aerators or diverters

**Maintenance water tap**

Allows convenient use of water from the fountain e.g. to connect hose for cleaning the fountain or the pavement, or for watering flowers.

Product code

142.700.253

142.700.239

142.700.293

142.700.115



**Additional color option**

Repainting the drinking fountain or bottle filler to a custom color selected from RAL palette.

**Drinking fountain mounting base**

Stable and rigid construction allows mounting of drinking fountains on non-hardened surfaces.

**Winter cover**

The cover is made of PVC material with weight of 650 g/m<sup>2</sup>. Made to the dimensions of the specific fountain.

Product code

142.700.000

142.700.237

196.102.816



## How do freeze-resistant valves work and how to choose the right one?

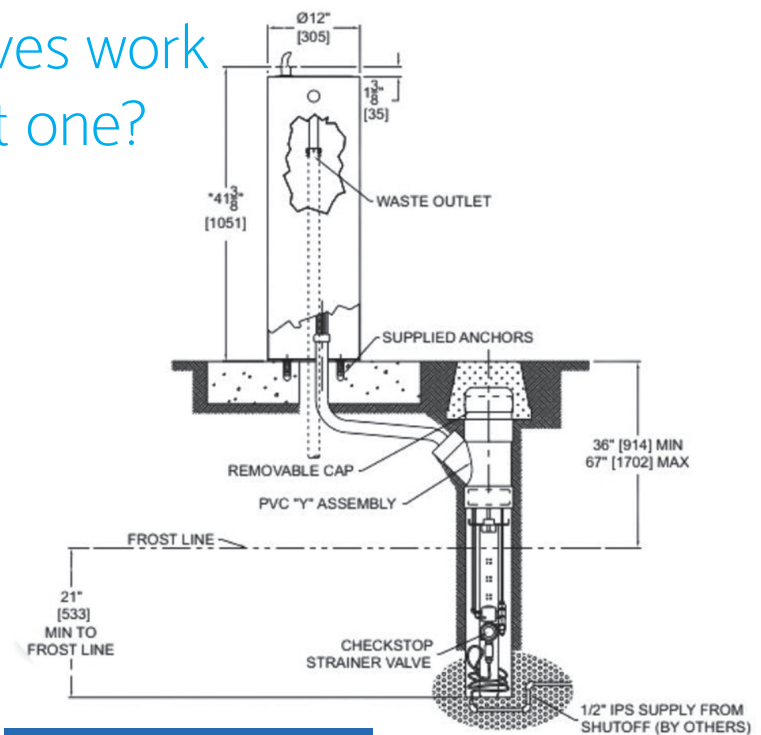
The valve is installed below the ground below freezing line. In Europe, it is usually 1.2m -1.4m. The customer can specify the length and the valve so it will be prepared.

### How to choose the right valve for your device?

For all wall-mounted units use FRA valves.

Cheat sheet:

For the end user, the noticeable difference is that the water comes out of the bubbler after few seconds after you push button. The valve is in the ground, not in the device, and the water must have time to flow to the top. For such models, I recommend putting a plate or sticker with such information, because someone people will come up and press the button and the water will not flow and they will think it is broken. And this is the frost-resistant version.



**THE DEVICE IS FROST-RESISTANT, SO PRESS THE BUTTON AND WAIT A MOMENT FOR THE WATER TO FLOW OUT**

**GUTE DINGE BRAUCHEN ZEIT.**

**BITTE DRUCKKNOPF GEDRÜCKT HALTEN UND KURZ WARTEN**

FRU1	Freeze-Resistant Below Ground Valve, Single Outlet	FOR: GRF, M-OBF, BF3, BF4, GRC, GRJ, M-OBA, M-OB
FRU2	Freeze-Resistant Below Ground Valve, Two Outlets	FOR: GRM, GRF-PF, M-OBF-PF, GRJ-PF, GYM
FRU3	Freeze-Resistant Below Ground Valve, Three Outlets	FOR: GYQ, GRM-PF, GYM-PF
FRA1	Freeze-Resistant Below Ground Valve, Single Outlet	FOR: GRC
FRA2	Freeze-Resistant Below Ground Valve, Two Outlets	FOR: GYE14, GRD
FRA3	Freeze-Resistant Below Ground Valve, Three Outlets	FOR: GYE24
FRU4	Freeze-Resistant Below Ground Valve, Four Outlets	FOR: GYQ-PF

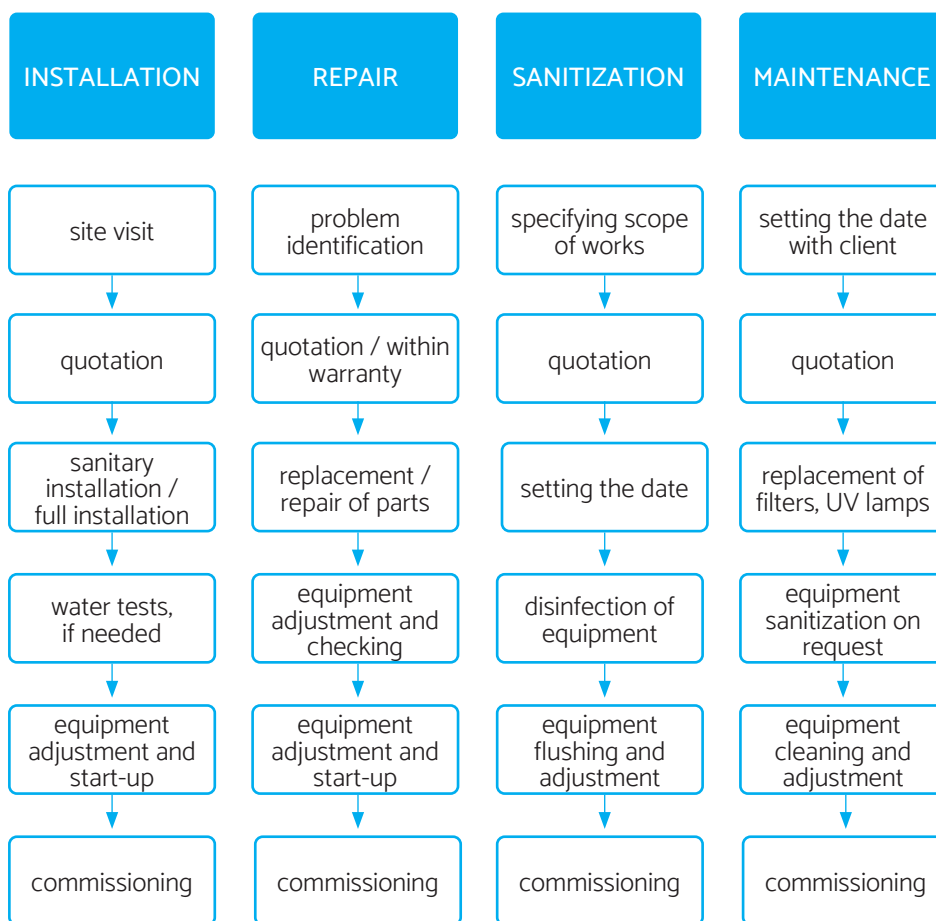


# PROFESSIONAL SERVICE AND INSTALLATION OF EQUIPMENT



# Regular maintenance of devices ensures their long life!

In addition to sales, we also offer services, such as professional installation and maintenance of drinking fountains and bottle fillers. Our staff are experienced specialists who regularly widen their expertise during technical training courses.





## WHAT ELSE WE DO?

Products from MGI brands can be found everywhere, including in the wellness center, waiting room, lab and surgical suite, outdoor areas, and more!

**Smith** produces a wide range of innovative plumbing products spanning everything from floor drains to electronic trap primers.

**Chronomite** is the industry leader in point-of-use electric tankless water heaters. By heating water quickly and only when it is needed, Chronomite water heaters offer water and energy savings, resulting in lower maintenance and operational costs.

**Acorn Engineering Company** has been a manufacturer of stainless steel plumbing fixtures and hand washing stations for institutional, correctional, and commercial use.

**Acorn Controls** is the industry leader in safe showering and tempering products designed for the most challenging demands of commercial and industrial facilities, with products ranging from thermostatic mixing valves to supply fixtures for emergency drench equipment.

**Safety Manufacturing** offer wide range of safety showers and eye wash stations constructed of stainless steel and anti-microbial plastics. Most notably, all our safety products include the most reliable and effective digital emergency tempering system on the commercial market.

**Elmdor® Access Doors** provides a quality product, excellent product availability, and top-notch customer service to customers needing access doors and roof hatches.



**AcornVac, Inc.** designs, engineers, manufactures, and markets environmentally friendly plumbing and waste collection, conveyance and disposal systems.

**Whitehall Manufacturing** provides the health care industry with products that help ensure patient care and safety, including patient care units, scrub sinks, bariatric toilets, dialysis boxes, and ligature-resistant plumbing fixtures and restroom accessories.

CHRONOMITE® offers instantaneous tankless electric water heaters that provide an endless supply of hot water at the point of use. By heating water quickly and only when it is needed, Chronomite water heaters offer water and energy savings, resulting in lower maintenance and operational costs throughout a building.

**PRODUCT CATEGORIES**

- Point-of-Use Non-Thermostatic Tankless Water Heaters
- Point-of-Use Thermostatic Tankless Water Heaters
- Point-of-Use Thermostatic Tankless Water Heaters with ASSE 1070 Mixing Valve
- Point-of-Use Mini Tank Water Heater
- Single Phase Large Capacity Tankless Water Heaters
- Three Phase Large Capacity Tankless Water Heaters
- Electrical Accessories
- Flow Control



**WATER HEATER**  
 R Series (as shown, left)



**BOXER® WATER HEATER**  
 ERB Series

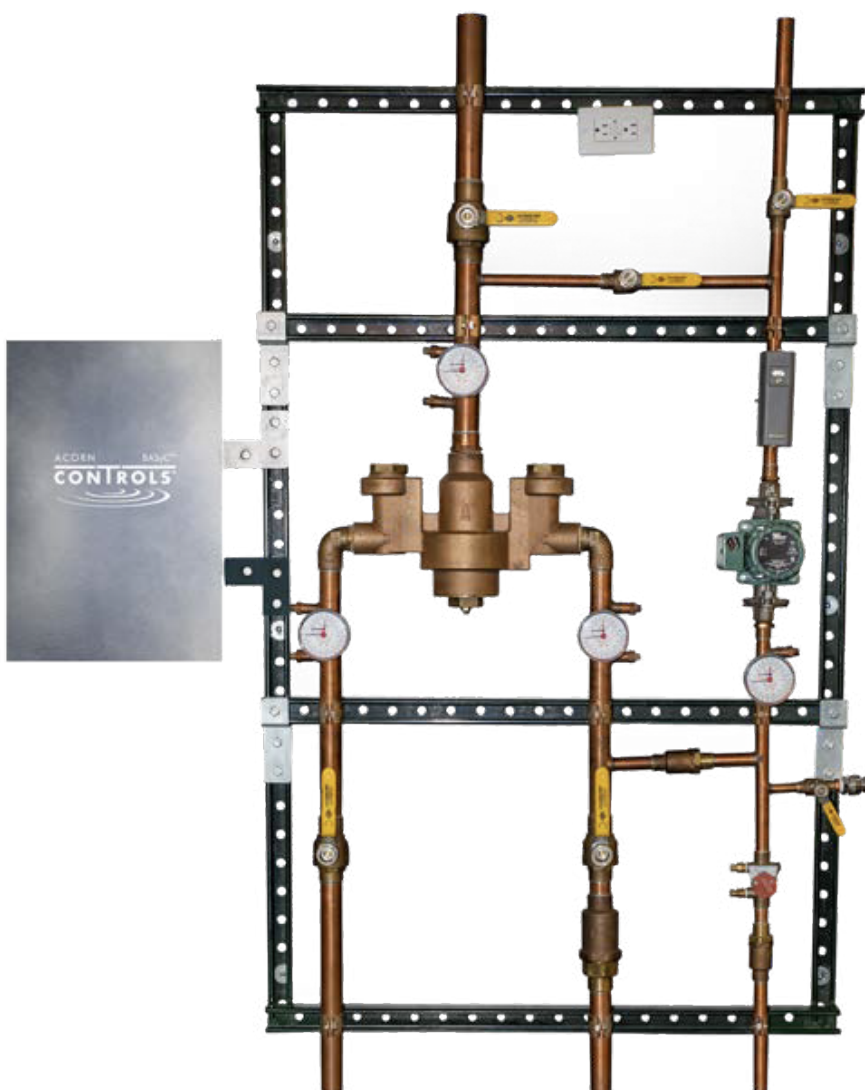


**WATER HEATER**  
 CMI Series

MGI CONTROLS® offers Thermostatic Mixing Valves that contribute to the safety and comfort of building users by bringing water from showers and sinks to a safe temperature for use. MGI ConTrols also manufactures Pressure Reducing Valves that reduce the pressure from the incoming municipal line to a level that is safe for use in a commercial building.

**PRODUCT CATEGORIES**

- Pressure Reducing Valves (PRV)
- Check Valves
- Master Mixing Valves (ASSE 1017)
- Emergency Tempering Valves (ASSE 1071)
- Lavatory Tempering Valves (ASSE 1070)
- Shower Mixing Valves (ASSE 1016)
- Thermostatic Balancing Valves (TMV)
- Supply Fixtures (TMV)
- Temperature Monitoring & Alarm (TMV)



**COMMAND STATION WITH**  
Model No. CSMV Series



**MIXING VALVE**  
ET71-1-BVS-OTG



SAFETY MANUFACTURING® protects workers in commercial buildings from the effects of exposure to chemicals and other dangerous substances with eye washes, face washes, and drench showers. Protect your building's workers and comply with local, state, and federal safety regulations with Safety Mfg. products.

#### PRODUCT CATEGORIES

- Eye Wash Stations
- Drench Hoses
- Safety Showers
- Combination Eye Wash Shower Stations
- Accessories



**RECESSED, SWING-DOWN  
EYE/FACE WASH**  
MODEL NO. S0560



**PLASTIC HEAD PEDESTAL  
SAFETY SHOWER WITH PLASTIC  
BOWL EYE-FACE WASH STATION**  
MODEL NO. S1320



**STAINLESS STEEL BOWL, PEDESTAL EYE/FACE  
WASH WITH HAND/FOOT CONTROL**  
MODEL NO. S0340-HFC



Acorn Engineering Company® manufactures products for commercial buildings, including toilets; urinals; wash basins; showers; precast shower basins and mop sinks; and commercial stainless steel sinks.

#### PRODUCT CATEGORIES

- Acorn-Sinks® Commercial Stainless Steel Sinks
- Accessories (Division 10)
- Combination Toilet - Lavatories
- Drinking Fountains
- Electronic Water Management System
- Hand Washing Stations
- Hydrant Boxes
- Mop, Service Sinks
- Secur-Care® Ligature Resistant
- Security Furnishings
- Shower Bases
- Showers
- Toilets
- Urinals



**ACORN-SINKS®  
STAINLESS STEEL UNDERMOUNT SINK,  
28" X 16"**

MODEL NO. SU-2816



**MULTI-USER HAND  
WASH STATION**

MODEL NO. 3506-F

**COMMERCIAL STAINLESS STEEL TOILET  
MODEL NO. 2140**





Murdock is a sixth-generation, family-run company that has always had one goal: access to clean, safe, drinking water for all. We've been in business since 1853, and, to this very day, when you call us you can still get a Murdock on the phone.

## *Murdock Fits* **“** *Your Lifestyle*

### **Discover new product lines:**

Indoor drinking fountains  
Bottle Filers  
Electric Water Coolers  
Outdoor drinking fountains  
Pet Fountains and Pet Showers  
Outdoor Showers and Misting Columns  
Hand Washing Stations  
Hydrants  
Retrofits  
Water Filtrations



**Sales & Service Europe**  
ul. Marecka 66a  
05-220 Zielonka / Poland  
tel. +48 22 771 04 56  
e-mail: [t@topserw.com](mailto:t@topserw.com)



 [www.topserw.com](http://www.topserw.com)

**Your local distributor:**